



**Basel 2 Pillar 3
and NBS decree 1/2007**
Disclosure as at 31 March 2010

CONTENTS

- 1. INTRODUCTION3
- 2. GENERAL REQUIREMENTS4
- 3. SCOPE OF APPLICATION22
- 4. REGULATORY CAPITAL STRUCTURE26
- 5. CAPITAL ADEQUACY28
- 6. CREDIT RISK32
- 7. RISK MITIGATION TECHNIQUES40
- 8. COUNTERPARTY RISK42
- 9. MARKET RISKS: DISCLOSURES FOR BANKS USING THE INTERNAL MODELS APPROACH (IMA) FOR POSITION RISK AND FOREIGN EXCHANGE RISK44
- 10. OPERATIONAL RISK49
- 11. EQUITY EXPOSURES: DISCLOSURES FOR BANKING BOOK POSITIONS51
- 12. INTEREST RATE RISK ON POSITIONS IN THE BANKING BOOK53
- 13. DECLARATION OF THE MANAGER RESPONSIBLE FOR PREPARING THE COMPANY’S FINANCIAL REPORTS55

1. Introduction

The purpose of the Third pillar of Basel 2, "market discipline", is to complement the minimum capital requirements (Pillar 1) and the supervisory review process (Pillar 2), by encouraging market discipline through the development of a set of disclosure requirements that will allow market participants to assess key pieces of information on the scope of application, regulatory capital, risk exposures, risk assessment processes, and therefore the capital adequacy of the institution. Such disclosures have particular relevance under the new framework introduced by Basel 2, where reliance on internal methodologies gives banks more discretion in assessing capital requirements.

The procedures to be adopted by Slovak banks or banking groups when disclosing information (referred to in brief as Pillar 3) to the public have been laid down by the National Bank of Slovakia Decree 1/2007 as well as the Bank of Italy in its Circular 263 of 27 December 2006 "New regulations for the prudential supervision of banks". This disclosure has therefore been prepared in compliance with the provisions of the abovementioned (which incorporates the provisions of annex XII to the EU Directive 2006/48) and the subsequent changes made to the regulatory framework.

All amounts, unless otherwise indicated are presented in thousands of euro ('€'). Negative values are presented in brackets.

Prospectuses that do not contain any information because they do not apply to the VUB Group are not published.

The VUB Group publishes this disclosure (Basel 2 Pillar 3) and subsequent updates on its Internet site at the address www.vub.sk.

2. General requirements

2.1 Information about VUB Group

Všeobecná úverová banka, a.s. ('the Bank' or 'VUB') provides retail and commercial banking services. The Bank is domiciled in the Slovak Republic with its registered office at Mlynské Nivy 1, 829 90 Bratislava 25 and has the identification number (IČO) 313 20 155.

The consolidated financial statements comprise the Bank and its subsidiaries (together referred to as 'the VUB Group' or 'the Group') and the Group's interest in associates and jointly controlled entities (please refer to section 3 for detailed description of companies included in the consolidation).

Organization Chart of the bank¹

- **Supervisory Board**
- 1100 Internal Audit and Control
- **Management Board**
- **1000 Governance Centre CEO**
 - 1007 Corporate Social Responsibility
 - 1020 Customer Care
 - 1200 Corporate Strategy and Economic Research
 - 1700 Change Management Office
 - 1900 Corporate and Marketing Communication
- **9000 Human Resources**
 - 9401 Relationship Management
 - 9500 Training and Development
 - 9600 Compensation and Benefits
 - 9700 Personell and Payroll
- **1000 Governance Centre Deputy CEO for Business**
 - 1400 Business Intelligence Competence Unit
 - 1401 Business Intelligence Data Governance
- **2000 Financial and Capital Markets**
 - 2002 Depository
 - 2004 Institutional Sales
 - 2005 Custody
 - 2300 Trading
 - 2600 Sales
 - 2800 Management of Investment Portfolio and Funding
- **3000 Corporate Banking**
 - 3003 Italian Customers Desk
 - 3200 Corporate Customer
 - 3300 Small and Medium Enterprises
 - 3600 Corporate Business Development and Support
 - 3700 Leasing
 - 3800 Trade Finance
 - 3900 Project and Real Estate Finance
- **4000 Retail Banking**
 - 4100 Cproduct and Alternative Channel Development
 - 4200 Customer Relationship Management
 - 4500 Retail Branch Management
 - 4600 Payment Cards
 - 4800 Private Banking
- **11000 VUB CR Prague Branch**
 - Structured Finance
 - Corporate Banking
 - Treasury Sales
 - Customer Services
 - Controlling
 - IT Support

¹ NBS decree 1/2007, §1, section 1a)

- **1000 Governance Centre Deputy CEO for Support**
 - 1005 Business Continuity Management
 - 1009 General Secretariat
 - 1030 Assets and Liabilities Management
 - 1600 Compliance
 - 1800 Legal Services
- **5000 Finance, Planning and Controlling**
 - 5002 Tax Strategy and Management
 - 5003 Administrative and Financial Governance
 - 5100 Planning and Controlling
 - 5200 Financial Reporting and Accounting Governance
 - 5600 Global Reconciliation
- **6000 IT**
 - 6001 IT Support Office
 - 6003 IT Architecture Management
 - 6200 IT Development
 - 6300 IT Operations
- **7000 Risk Management**
 - 7010 Enterprise Risk Program Management
 - 7100 Market Risk
 - 7200 Operational Risk and Capital Management
 - 7400 Corporate and Retail Underwriting
 - 7600 Assets Quality Management
 - 7700 Recovery
 - 7900 Policy and Methodology
- **8000 Operational Services**
 - 8100 Banking Operations
 - 8200 Corporate Middle Office
 - 8300 Cash Flow Management
 - 8400 Facility Administration
 - 8500 Security
 - 8600 Internal Services
 - 8700 Archival Services
 - 8800 Procurement
 - 8900 Internal Banking Accounting

Headcount

Total number of employees: 3,460
Members of the Management Board: 8
Managers: 592

Date of registration in the Companies Register²

1.1.1990 - Registration in the Public Companies Register
1.4.1992 - Registration in the Companies Register

Bank license issued

1.1.1990 – for VUB, Inc.

Commencement date of the execution of licensed banking activities

1.1.1990

² NBS decree 1/2007, §1, section 1b)

List of business activities according to the bank license³

In compliance with § 2 of the Banking Act No 483/2001

1. acceptance of deposits;
2. provision of loans;
3. domestic and cross-border fund transfers;
4. trading on the bank's own account:
 - a) with money market financial instruments in EUR and foreign currency, including exchange operations;
 - b) with capital market financial instruments in EUR and foreign currency;
 - c) in precious metal coins, commemorative bank notes and coins, bank note sheets and circulating coin sets;
5. management of client's receivable on the client's account, including related advisory services;
6. financial leasing;
7. provision of guarantees, opening and validation of Letters of Credit;
8. issuance and management of payment instruments;
9. provision of business related advisory services;
10. issuance of securities, participation in issuance of securities, and provision of related services;
11. financial mediation services;
12. things deposit;
13. lease of safe deposit boxes;
14. provision of banking information;
15. mortgage business under Section § 67 art. 1 of the Banking Act;
16. depositary duty pursuant to specific regulations;
17. processing of banknotes, coins and commemorative banknotes and coins.

In compliance with § 79 and § 6 of the Securities Act No 566/2001

1. to invest in securities on own account, provide investment services, investment activities and ancillary services in compliance with § 79a Para 1 and § 6 Para 1, 2:
 - A. to accept and forward client's instruction for one or several financial instruments;
 - B. to execute the client's instruction on his account and deal on own account in relation to the following financial instruments:
 - a) convertible securities;
 - b) money market instruments;
 - c) trustee shares or securities issued by foreign entities of collective investments;
 - d) options, futures, swaps, forwards and other derivatives concerning the securities, currencies, interest rates or yields, or other derivative instruments, financial indices or financial units to be settled by their delivery or cash;
 - e) options, swaps and forwards related to commodities that must be settled in cash or can be from payment insolvency or any other event resulting in termination of the contract; settled in cash upon discretion of one of the contracting parties; this shall not apply to the settlement resulting
 - f) options and swaps related to commodities that can be settled in cash if traded on the regulated market or in a multilateral dealing system;
 - g) options, swaps and forwards related to issues licences, inflation rates that must be settled in cash or can be settled in cash upon discretion of one of the contracting parties, otherwise than due to payment insolvency or any other event resulting in termination of the contract;
2. to manage portfolio in relation to the following financial instruments:
 - a) convertible securities;
 - b) money market instruments;
 - c) trustee shares or securities issued by foreign entities of collective investments;
 - d) options, futures, swaps, forwards and other derivatives concerning currencies, interest rates or yields to be settled by their delivery or cash;
3. investment consulting in relation to the following financial instruments:
 - a) convertible securities;
 - b) money market instruments;
 - c) trustee shares or securities issued by foreign entities of collective investments;
4. to underwrite and place the financial instruments upon a fixed liability in relation to the following financial instruments:
 - a) convertible securities;
 - b) money market instruments;
5. to place the financial instruments without a fixed liability in relation to the following financial instruments:
 - a) convertible securities;
 - b) money market instruments;
 - c) trustee shares or securities issued by foreign entities of collective investments;

³ NBS decree 1/2007, §1, section 1c)

6. to keep in custody and manage the financial instruments on the client's account, including a custodian management and related services, in particular management of cash and financial collaterals in relation to the following financial instruments:
 - a) convertible securities;
 - b) money market instruments;
 - c) trustee shares or securities issued by foreign entities of collective investments;
7. to grant loans and borrowings to an investor to be able to trade one or several financial instruments if the loan or borrowing provider is involved in this business;
8. to provide consulting on capital structure, business strategy and consulting and services in relation to merger, fusion, change or split of the company or company acquisition;
9. to trade foreign exchange values if they are associated with investment services provision;
10. to make investment survey and financial analysis of other form of general recommendation for trading the financial instruments;
11. services related to underwriting of these financial instruments.

Banking Supervision Decree No-169/2001 dated 22.1.2001

- generation and distribution of heat, and distribution of electricity to the extent of the VÚB application

Banking Supervision Decree No-192/2000 dated 25.1.2000

- activities related to lease and management of real estate and non-residential premises to the extent of the VÚB application

Banking Supervision Decree No-2057/2002 dated 3.1.2003

- printing and enveloping of invoices, bank account statements, and distribution of letters to the bank's subsidiaries and clients through Slovak Post Office;
- procurement of services related to projects, information technologies, acquisition of computer equipment, applications, data processing, and services related to IT security on behalf of the bank's subsidiaries;

- arrangements in respect of certification of electronic signatures and issuance of PKI keys as an integral part of electronic banking services ensuring secure and incontestable data interchange between the bank and its client;
- bookkeeping on behalf of the bank's subsidiaries and subsidiaries thereof.

Banking Supervision Decree No-1174/2003 dated 5.8.2003

- preparation of financial and administrative agenda as well as personnel and salary related agenda for the subsidiaries

Resolution No. OPK-11106-2/2009 dated August 17, 2009

- mediation of entering into a license agreement on use of computer product VUB CryptoPlus by and between MONET+, a. s. and clients of VUB, a.s.

List of licensed but not conducted business activities⁴

VUB Bank does not provide investment advisory services and portfolio management services.

List of business activities conduct of which has been restricted, suspended or cancelled by the relevant authority⁵

Non-performed activities have not been kept in Bank in the 1st quarter 2010.

Quotation of the statement section of the lawful decision imposing a corrective measure during the calendar quarter⁶

Non-performed activities have not been kept in Bank in the 1st quarter 2010.

Quotation of the statement section of the lawful decision imposing a penalty during the calendar quarter⁷

Non-performed activities have not been kept in Bank in the 1st quarter 2010.

The regularly updated individual and consolidated financial information about the bank⁸ can be found on the following web page: <http://www.vub.sk/en/about-us/banks-profile/information-about-bank-activities/>

⁴ NBS decree 1/2007, §1, section 1d)

⁵ NBS decree 1/2007, §1, section 1e)

⁶ NBS decree 1/2007, §1, section 1f)

⁷ NBS decree 1/2007, §1, section 1g)

Aggregate amount of exposures classified in groups for VUB Bank⁹

<i>Group defined in §1, sec.2</i>	<i>Group defined in §1, sec.14, chapt. c)</i>	EUR thousand
Not impaired	1. States and Central Banks	States and Central Banks
	1. States and Central Banks	AFS
	1. States and Central Banks	Securities HTM
	2. Institutions	Institutions
	2. Institutions	AFS
	2. Institutions	Securities HTM
	3. Corporate clients	Corporate clients
	3. Corporate clients	Securities HTM
	5. Other	Other
	5. Other	AFS
	6. Municipalities	Municipalities
		3,746,408
Impaired	1. States and Central Banks	Trading
	3. Corporate clients	Corporate clients
	3. Corporate clients	Securities HTM
	3. Corporate clients	Special exposures
	4. Retail	Mortgages
	4. Retail	Credit cards
	4. Retail	Commercial loans
	4. Retail	Overdrafts
	4. Retail	Consumer loans
		5,614,102
Failed	2. Institutions	Institutions
	3. Corporate clients	Corporate clients
	3. Corporate clients	Special exposures
	3. Corporate clients	Discounted receivables
	4. Retail	Mortgages
	4. Retail	Credit cards
	4. Retail	Commercial loans
	4. Retail	Overdrafts
	4. Retail	Consumer loans
		222,513

⁸ NBS decree 1/2007 §1, section 2 a-c), section 6

⁹ NBS decree 1/2007 §1, section 2 d-f)

Difference between assets and liabilities of the specified month according to the estimated maturity¹⁰

Difference between assets and liabilities of the specified month according to the estimated maturity in March 2010 was € -1,035,994 thousand.

Information on ten major bank shareholders who possess at least a 5% share in the registered capital of a bank, and on the amount of their shares in the registered capital of a bank and in the voting rights in a bank¹¹

a) natural person: none

b) natural person – entrepreneur: none

c) legal person:

1. name (trade name)	Intesa Sanpaolo Holding International S. A.
2. legal form and registered office	a joint – stock company, Luxembourg
3. identification and matriculation number	0001000779; B 44318
4. principal business activity	acquisition of capital participations
5. share in the bank's registered capital	96,764%
6. share in the bank's voting rights	96,764%

d) municipality or higher territorial unit:

e) National Property Fund of the Slovak Republic: none

f) state authority: none

Information on other shareholders not given on previous pages and on the amount of their shares in the registered capital of a bank¹²

a) number of bank shareholders	45 531
b) total share in the bank's registered capital	3,236%
c) share in the voting rights in the bank	3,236%

2.2 Qualitative disclosure¹³
Introduction

The VUB group as a member of Intesa Sanpaolo Group attaches great importance to risk management and control as conditions to ensure reliable and sustainable value creation in a context of controlled risk, protect the Group's financial strength and reputation, and permit a transparent representation of the risk profile of its portfolios.

This is shown in the great efforts made in recent years to obtain the validation by the Supervisory Authorities of the Internal Models for market risks and operational risk, and the recent recognition of the use of internal ratings for the calculation of the requirement to cover credit risk in the Corporate segment: on this point see the paragraph dedicated to the Basel 2 Project, which describes the phases of the rollout plan for the internal models for credit risk..

The definition of operating limits related to market risk indicators, the use of risk measurement instruments in granting and monitoring loans and controlling operational risk and the use of capital at risk measures for management reporting and assessment of capital adequacy within the Group represent fundamental milestones in the operational application of the strategic and management guidelines defined by the Supervisory Board and the Management Board throughout the Bank's decision-making chain, down to the single operating units and to the single desk.

The policies relating to the acceptance of risks are defined by the Supervisory Board and the Management Board with support from specific operating Committees, the most important of which are the Credit Risk Committee, Assets & Liabilities Committee and Operational Risk Committee, and from the Chief Risk Officer reporting directly to the Chief Executive Officer Deputy for Support.

Assessments of each single type of risk for the Group are integrated in a summary amount – the economic capital – defined as the maximum “unexpected” loss the Group might incur over a year. This a key measure for determining the Group's financial structure and its risk tolerance, and guiding operations, ensuring the balance between risks assumed and shareholder return.

¹⁰ NBS decree 1/2007 §1, section 2g)

¹¹ NBS decree 1/2007 §1, section 3 a-f)

¹² NBS decree 1/2007 §1, section 4 a-c)

¹³ NBS decree 1/2007 §1, section 7)

The Group sets out these general principles in policies, limits and criteria applied to the various risk categories and business areas with specific risk tolerance sub-thresholds, in an intricate framework of governance, control limits and procedures.

Risk coverage, in consideration of the nature, frequency and potential impact of the risk, is based on the constant balance between mitigation/hedging actions, control procedures/processes and finally capital protection.

Intesa Sanpaolo is in charge of overall direction, management and control of risks. Group companies that generate credit and/or financial risks are assigned autonomy limits and each has its own control structure.

For the purposes described above, Intesa Sanpaolo uses a wide-ranging set of tools and techniques for risk assessment and management, described in detail in this document.

VÚB Bank applied, reflecting high-level framework and principles defined by parent company, the same operational model for its subsidiaries, where in main VÚB Group subsidiaries some of these functions are performed on the basis of an outsourcing / SLA contract, by Bank's risk control functions, which periodically report to the Supervisory and Management Board, and Audit Committee.

Basel 2 Project (credit risk)

Long prior to their merger, the Intesa and Sanpaolo IMI groups had made the strategic choice of adhering to the more advanced approaches of Basel II, which provide for recognition by Supervisory Authorities of internal measurement and risk control systems for the calculation of capital absorption. In particular, significant group projects were put into motion for the realisation of investments in models, organisation and IT infrastructures.

The Intesa Sanpaolo Group considers the Basel II project as absolutely strategic, and has set as its basic objectives not only the fast adoption of the advanced approaches so as to adopt the regulatory most risk sensitive framework, but also, and above all, the realisation of new important and innovative instruments in support of the business.

In order to reach these objectives, the Intesa Sanpaolo Group launched the "Basel II Project" in 2007 (hereinafter the "Project"), with the approval of the Management Board and of the Supervisory Board.

The "Project" brought ISP Group to apply for the FIRB Corporate Approach for the "first application perimeter"¹⁴ on November the 18th 2008. Bank of Italy granted the authorization on March the 19th 2009.

IRB project was officially launched in VÚB in November 2008, with the aim to enhance the existing framework and prepare the Bank for the application in 2009 in order to benefit from a reduction of regulatory requirements¹⁵

VUB intends to apply the Basel 2 Internal rating model (so called Basel 2 IRB) approach to all its Group entities that are:

- VUB Bank
- VUB Leasing
- CFH Consumer Finance Holding
- VUB Factoring

The adoption of Basel 2 framework is planned as a *phased approach* that is an internal rating model will be developed for each significant asset class over time in a period between 2009 and 2013.

VUB has already developed internal rating models for its Corporate clients and for Retail mortgage; a formal request has been sent to Banca d'Italia for the approval of the corporate model for regulatory capital calculation purposes. The remaining segments will follow according to the roll-out plan; some segments which are not material from risk point of view and are not strategic for the Bank will be treated according to PPU (Permanent Partial Use) approach that is Standardised Approach will continue to apply.

Activities performed in year 2009 have seen the utilization of approximately 3,500 men days and have impacted on around 40% of existing departments of the Bank.

¹⁴ I.e.: Intesa Sanpaolo, Banco di Napoli, Cassa dei Risparmi in Bologna, Cassa di Risparmio del Veneto, Cassa di Risparmio di Venezia, Cassa di Risparmio del Friuli Venezia Giulia, Cassa dei Risparmi di Forlì e della Romagna, Banca dell'Adriatico, Banca di Trento e Bolzano, Banca Infrastrutture Innovazione e Sviluppo, Mediocredito Italiano, Banca CIS, Leasint e Mediofactoring.

¹⁵ One year of use test requirements instead of three years use test requirements

The IRB project is bringing to the Bank few significant changes, specifically:

- i) Internal rating models for
 - Corporate clients (turnover above 40 million Euro)
 - SME clients (turnover between 1 and 40 million Euro)
 - Specialized Lending (Project Finance and Real Estate)
- ii) Utilization of a.m. internal rating models in all credit and credit risk related processes (origination, underwriting, monitoring, portfolio management, etc)
- iii) Calculation of capital requirements for regulatory purposes (RWA Risk Weighted Assets) based on internal rating model¹⁶

This within a broader context which should see VUB progressively adopting internal rating models for most of its asset classes, in line with ISP guideline and methodologies (Phase roll out plan).

The internal control system

The VUB Group, to ensure a sound and prudent management, combines business profitability with an attentive risk-acceptance activity and an operating conduct based on fairness.

Therefore, the VUB Group, in line with legal and supervisory regulations in force, has adopted an internal control system capable of identifying, measuring and continuously monitoring the risks typical of its business activities.

VUB Group's internal control system is built around a set of rules, procedures and organisational structures aimed at ensuring compliance with VUB Group strategies and the achievement of the following objectives:

- the effectiveness and efficiency of VUB Group processes;
- the safeguard of asset value and protection from losses;
- reliability and integrity of accounting and management information;
- transaction compliance with the law, supervisory regulations as well as policies, plans, procedures and internal regulations;

The internal control system is characterised by a documentary infrastructure (regulatory framework) that provides organised and systematic access to the guidelines, procedures, organisational structures, and risks and controls within the business, also incorporating the provisions of the Law, together with the instructions of the Supervisory Authorities, VUB Group policies and Intesa Sanpaolo expectations.

The regulatory framework consists of "Governance Documents" that oversee the operation of the Bank (Articles of Association, Code of Ethics, Policies, Guidelines, Function charts of the Organisational Structures, Organisational Models, etc.) and of more strictly operational regulations that govern business processes, individual operations and the associated controls.

More specifically, the Company rules set out organisational solutions that:

- ensure sufficient separation between the business, operational and control functions and prevent situations of conflict of interest in the assignment of responsibilities;
- are capable of adequately identifying, measuring and monitoring the main risks assumed in the various operational segments;
- enable the recording, with an adequate level of detail, of every operational event and, in particular, of every transaction, ensuring their correct allocation over time;
- guarantee reliable information systems and suitable reporting procedures for the various managerial levels assigned the functions of governance and control;
- ensure the prompt notification to the appropriate levels within the business and the swift handling of any anomalies found by the business units and the control functions.

The VUB Group's organisational solutions also enable the uniform and formalised identification of responsibilities. At Corporate Governance level, VUB Group has adopted a dual governance model, in which the functions of control and strategic management, performed by the Supervisory Board, are separated from the management of the Company's business, which is exercised by the Management Board in accordance with the provisions of the applicable laws.

The Supervisory Board has established the Audit Committee that helps supervising the internal control system, risk management and the accounting and IT systems. The Audit Committee performs the duties and tasks stipulated in the Accounting Act.

From a more strictly operational perspective the Bank has identified the following macro types of control:

¹⁶ Based on approval from NBS

- line controls, aimed at ensuring the correct application of day-to-day activities and single transactions. Normally, such controls are carried out by the productive structures (business or support) or incorporated in IT procedures or executed as part of back office activities;
- risk management controls, which are aimed at contributing to the definition of risk management methodologies, at verifying the respect of limits assigned to the various operating functions and at controlling the consistency of operations of single productive structures with assigned risk-return targets. These are not normally carried out by the productive structures;
- compliance controls, made up of policies and procedures which identify, assess, check and manage the risk of non-compliance with laws, Supervisory authority measures or self-regulating codes, as well as any other rule which may apply to the Group;
- internal auditing, aimed at identifying anomalous trends, violations of procedures and regulations, as well as assessing the overall functioning of the internal control system. It is performed by different structures which are independent from productive structures.

The internal control system is periodically reviewed and adapted in relation to business development and the reference context. As a consequence, VUB Group's control structure is in compliance with the instructions issued by the Supervisory Authorities. Indeed, alongside an intricate system of line controls involving all the function heads and personnel, an independent Risk Management Division has been established specifically dedicated to controls related to the control of risk management (including, the Underwriting Department, Methodology, Credit Quality Monitoring, and Internal Validation in accordance with Basel 2). The management of compliance controls (Compliance Department); the Legal Affairs Department report to the Deputy CEO for Support, aside of business units.

There is also a dedicated Internal Audit and Control Department, which reports directly to the Supervisory Board, and is also functionally linked to the Audit Committee.

The Compliance Department

The governance of compliance risk is of strategic importance to the VUB bank as it considers compliance with the regulations and fairness in business to be fundamental to the conduct of banking operations, which by nature is founded on trust.

The Compliance Department of VUB was created in 2005 directly under Deputy CEO. It has autonomous position with respect to risk management and compliance check; the position of Compliance Department is separated from Internal Audit and Control Unit of the Bank. Concurrently, however the activities of Compliance are subject to controls of Internal Audit and Control Unit of the Bank.

During the second half of the year 2009, the Compliance Department has started to implement a project designed to set out the Group Compliance Model, based on ISP Guidelines. These Guidelines identify the responsibilities and macro processes for compliance, aimed at minimizing the risk of non-compliance through a joint effort of all the company functions. The Compliance Department is responsible, in particular, for overseeing the guidelines, policies and methodologies relating to the management of compliance risk. The Compliance Department, through the coordination of other corporate functions, is also responsible for the identification and assessment of the risks of non-compliance, the proposal of the functional and organizational measures for their mitigation, the pre-assessment of the compliance of innovative projects, operations and new products and services, the provision of advice and assistance to the governing bodies and the business units in all areas with a significant risk of non-compliance, the monitoring, together with the Internal Auditing Department, of ongoing compliance, and the diffusion of a corporate culture founded on principles of honesty, fairness and respect of the spirit and letter and the spirit of the rules.

The activities carried out during the year are concentrated on the regulatory areas considered to be the most significant in terms of compliance risk. In particular:

- with reference to the area of investment and payment services, these activities involved the governance of the process of compliance with the MiFID and PSD legislation, from the implementation of the governance and organizational measures required by the implementing regulations issued by the Supervisory Authorities, through the setting up of policies, processes and procedures and the establishment of the necessary training initiatives. The compliance activities also involved the clearing of new products and services, the management of conflicts of interest and the monitoring of customer activity for the prevention of market abuse;
- with regard to the countering of money laundering and terrorist financing, these activities involved the coordination of the organizational, IT and training activities aimed at the implementation of the Third European AML Directive. Monitoring also together with the analysis of suspicious transactions for assessment concerning the reporting to the competent Authorities;

- support was provided to the business structures for the proper management of reporting transparency and more generally in relation to the regulations for consumer protection.

The Internal Audit and Control Department

With regard to Internal Auditing activities, the Internal Audit and Control Department is responsible for ensuring the ongoing and independent surveillance of the regular progress of the VUB Group's operations and processes for the purpose of preventing or identifying any anomalous or risky behaviour or situation, assessing the functionality of the overall internal control system and its adequacy in ensuring the effectiveness and efficiency of company processes, the safeguarding of asset value and loss protection, the reliability and completeness of accounting and management information, and the compliance of transactions with the policies set out by the VUB Group's administrative bodies and internal, external regulations and the Supervisor's expectations.

Furthermore, it provides consulting to the Bank and Group departments, also through monitoring participation in projects, for the purpose of improving the effectiveness of the processes of control, risk management and organisational governance.

The Internal Audit and Control Department uses personnel with the appropriate professional skills and expertise and ensures that its activities are performed in accordance with international best practice and standards for internal auditing established by the Institute of Internal Auditors (IIA).

The Internal Audit and Control Department has a structure and a control model which is organised to cover in efficient way all risks covered by the Internal Audit and Control Department. The surveillance was also affected by the delicate situation of the international economic-financial crisis, leading to increased focus on credit risk and liquidity risk.

Direct surveillance was carried out in particular through:

- the control of the operational processes of network and central structures, with verifications, also through on-site interventions, of the functionality of line controls, of the respect of internal and external regulations, of the reliability of operational structures and delegation mechanisms, of the correctness of available information in the various activities and of their adequate use with free and independent access to functions, data and documentation and application of adequate tools and methodologies;
- the surveillance, via distance monitoring integrated by on-site visits, of the credit origination and management process, verifying its adequacy with respect to the risk control system and the functioning of measurement mechanisms in place;
- the surveillance of the process for the measurement, management and control of the VUB Group's exposure to market, counterparty, operational and credit risks, periodically reviewing the internal validation of the models and the ICAAP process developed for Basel 2 and the Prudential Supervisory regulations;
- the valuation of adequacy and effectiveness of information technology system development and management processes, to ensure their reliability, security and functionality;
- the surveillance, also via on-site visits, of the processes related to financial operations and the adequacy of related risks control systems;
- the control of compliance with the behavioural rules and of the correctness of procedures adopted on investment services as well as compliance with regulations in force with respect to the separation of the assets of customers;
- the verification of the operations performed by foreign branches, with interventions by internal auditors both local and from the Head Office.

During the year the Internal Audit and Control Department also ensured the monitoring of all the main integration projects paying particular attention to control mechanisms in the Bank's models and processes and, in general, to the efficiency and the effectiveness of the control system established within the VUB Group.

Indirect surveillance was conducted via direction and functional coordination of the Auditing structures in subsidiaries, for the purpose of ensuring control consistency and adequate attention to the different types of risks, also verifying the effectiveness and efficiency levels under both the structural and operational profile. Direct reviews and on-site verification interventions were also conducted.

In conducting its duties, the Internal Audit and Control Department used methodologies for the preliminary analysis of risks in the various areas. Based on assessments made and on the consequent priorities, the Internal Audit and Control Department prepared and submitted the Annual Audit Plan for prior examination by the Audit Committee, the Management Board and the approval of the Supervisory Board, on the basis of which it conducted its activities during the year, completing all the scheduled audits.

Any weak points have been systematically notified to the Departments and Management involved for prompt improvement actions which are monitored by follow-up activities.

The valuations of the internal control system deriving from the checks have been periodically transmitted to the Audit Committee, to the Management Board and to the Supervisory Board which request detailed updates also on the state of solutions under way to mitigate weak critical points; furthermore, the most significant events have been promptly signalled not only to the Audit Committee and Internal Auditing Department of Intesa Sanpaolo.

2.3 Risk Management in VÚB Group

Fundamental principles of Risk Management in VÚB Group were formalized and circulated among all interested parties in Risk Management Strategy.

The Strategy sets out the organizational context of the Group, defining the hierarchy of risk management related documentation, risk management philosophy, culture, values and operating style.

Furthermore, the Policy sets the framework for setting Group risk objectives and risk appetite, actual and target risk structure and basic structure of Risk Management in VÚB Group.

Key Risk Management principles (described in more detail in respective Policy), in VÚB Group, are as follows:

- conflict of interests
- best-practice approach
- prudence
- going concern
- expertise
- new product handling
- parent company guidance

Reflecting key elements, defined and described in Risk Management Strategy, the Bank has set-up and formalized the Internal Capital Adequacy Assessment Process. Process deployed aims at identification, measurement and management of all risks, the Bank is exposed to, including pro-active management of the available financial resources, to cover Bank's actual and future capital needs.

2.4 Credit risk

Risk management strategies and processes

The VÚB Group has defined the organizational framework, principles and processes for measuring, managing and controlling credit risk.

The basic principles of credit risk management are defined in Risk Management Strategy and are then worked out in detail in credit policies and procedures. The VUB Group basic principles are aimed at:

- Portfolio diversification at a segment, single obligor/group of obligors, product, industrial sector and tenor level, which is considered as an approach mitigating the concentration risk.
- Efficient underwriting process focused on detail creditworthiness analysis of each borrower/group of borrowers
- Efficient portfolio monitoring and portfolio management including the monitoring of early warning signals
- Clear definition of client lifecycle in loan management and triggers for entering each stage of lifecycle (Performing, Early Warning Signals, Watchlisted, Recovery).

Structure and Organization of the risk management function

The organizational framework is designed this way that rigorous segregation of function and responsibilities is assured.

On the high level the following bodies are involved in Credit risk management:

- Supervisory Board
- Management Board
- Credit Risk Committee

and on operational level Corporate Credit Committee, Recovery and New Product Committee.

The Supervisory Board and Management Board are the principal statutory governance bodies of VUB Group. Supervisory Board of VÚB Bank guarantees the functionality, efficiency and effectiveness of the risk management and controls system, which is constantly checked by Internal Audit.

From strategic point of view most of the functions in credit risk management area was delegated by Management Board to Credit Risk Committee. The objective of Credit Risk Committee is setting of Credit Risk policies for VUB Group in line with the risk appetite defined per customer, per segment and per product and also reviewing and making decision on matters concerning the rating governance.

Credit Risk Committee also set the rules for portfolio diversification (ex ante defined concentration limits) on the level of segment, product and industrial sector. All portfolio limits are monitored and reported to Credit Risk Committee on monthly basis.

From operational point of view some of the functions in credit risk management area were delegated by Management Board to Corporate Credit Committee, Recovery and New Product Committee. Objectives of above-mentioned Committees, as well as competencies and functioning is described in respective Committee Charters.

The execution of the credit risk management activities (according to approved strategies and principles) is responsibility of Risk Management Division as a Control Unit through which all Risk Management activities are coordinated. Risk Management Division is headed by Chief Risk Officer, the member of the Management Board and is organizationally separated from the business divisions.

From Risk Management division the following departments are primarily involved in credit risk management:

- Policy and Methodology – responsible for the rating system design, including the development and maintenance of the rating models and designing the detail risk policies (including risk mitigation policy) and procedures in compliance with approved principles and strategies.
- Credit Risk Management – responsible for the loan granting, competencies and responsibilities are defined in the Competence code.
- Asset Quality Management – responsible for the monitoring of portfolio, including monitoring of early warning signals, monitoring of ratings, overrides and performance of validation activities.
- Recovery (Collection) – responsible for non-performing loans management, execution of collection strategies in early and late stage of collection process and dealing with watchlisted clients

Scope of application and characteristics of the risk measurement and reporting system

VUB in cooperation with its Parent company, Intesa Sanpaolo has developed a set of instruments which ensure the analytical control over the quality of the loans to clients and financial institutions, and loans subject to country risk.

Risk measurement uses rating models which are differentiated according to the obligor's segment (Large Corporate, Real Estate, Project Finance, Small and Medium Enterprises, Small Business, Retail). These models make it possible to summarise the credit quality of the counterparty in a measurement, the rating which reflects the probability of default over a period of one year.

The rating models for Large Corporates, Real Estate, Project Finance, Small and Medium Enterprises are the object of validation application submitted in December 2009.

As regards the other segments, a brief summary is provided below of the current status of the models and the expected developments.

For Financial institutions (non-banks) and Municipalities the standardized approach will be applied, development of internal model is not planned.

For Sovereigns, central banks and Institutions, the take-over of Parent company model is planned after analysis and recalibration on VUB portfolio.

As regards the Retail and Small Business portfolio the rating models are being re-developed with planned replacement of existing models:

- for the Small Business segment the model is being developed on the counterparty level, based on the similar logic as the corporate model, i.e. integration of quantitative and qualitative parameters
- for the Retail – Mortgage the model is being fine-tuned taking into consideration both client and contract parameters. It differentiates between the initial mortgage approval and disbursement where the application model is used reflecting the client's behaviour of the other products and subsequent regular assessment during the lifetime of the mortgage (performance model), which takes into account behavioural data
- for the Retail – rest of products (consumer loans, credit cards and overdrafts) the model will be newly developed following the logic of Mortgage model

For Retail-Mortgages the application for authorisation is due to be made to the regulator to use this model for regulatory reporting system together with the LGD model (IRB advanced application).

The attribution of rating is centralized and fully automated for SME, Small Business and Retail portfolio. Rating is based on quantitative and qualitative data inputted into system by Relationship manager.

For Large Corporates the rating assignment is centralized in Credit Risk Management department with splitted responsibility for rating assignment and rating validation. Internal guideline defines the competencies; in some cases the technical opinion of Parent Company is needed.

Furthermore the rating system includes the behavioural score which is automatically calculated on monthly basis, which is one of the parameter of portfolio monitoring. It interacts with the processes of portfolio management and together with other indicators allows timely assessment of client worsening and performance of remedial action.

Integration with Early warning system application is planned in order to fully automate the process of management of clients with rating worsening.

The whole loan portfolio is subject to the regular review carried out on the level of counterparty (Corporate segment) or on the portfolio/product level (Retail segment including Small Business).

Policies for hedging and mitigating risk

The standard tools and techniques are used for credit risk mitigation. Bank does not use debt securitization, credit default swaps or insurance of loan portfolio.

The tools and techniques for credit risk mitigation are summarized in Collateral policy which is an integral and indispensable part of the credit risk management and credit risk mitigation for VUB Group. Collateral is used primarily to provide the bank with the means for repayment of an exposure in the event of default by the borrower.

However, collateral management has a wider meaning than the simple taking of collateral in order to secure the repayment of the bank's exposures. This includes the following:

- The establishment and maintenance of collateral policy comprising types of collateral taken by the Bank, the legal documentation used by the bank to secure its right to this collateral in the event of a default and the valuation of this collateral at origination. These aspects of collateral management are addressed in this policy document;
- The relevant and proper identification and registration of collateral to secure the bank's right to collateral in the event of default by the borrower;
- The regular monitoring and re-valuation of collateral held by the bank during the life of the exposure;
- The analysis, monitoring and review of realization rates achieved by Recovery Department activities in order to assess the effectiveness of the collateral policy as a risk mitigant, i.e. that the impact of the policy reduces the net credit loss suffered by the bank as a result of its lending activities across all segments and products.

The principal objective of Collateral policy is to clearly set up rules for a common and standard set of collateral types used by the bank in its lending activities. The rules, as the minimum, describe and state:

- Conditions for legal enforceability;
- Conditions for the process of valuation and the maximum values accepted by the Bank at origination for the certain types of collaterals; and
- Conditions for the process of revaluation.

2.5 Market risks – trading book

Risk management strategies and processes

The allocation of capital for trading activities is set by the ALCO, through the attribution of operating limits in terms of VaR. The allocation of these limits is at VUB trading book level as it represents the only portion of the VUB Group's market risks.

The ALCO monitors the risks of trading book on a monthly basis, with particular reference to the absorption of the VaR limits, and recommends any corrective actions. The situation is also regularly examined by the parent company Intesa Sanpaolo risk management.

Structure and organisation of the associated risk management function

The Chief Risk Officer is responsible, at Group level, for setting out the system of operating limits, the capital allocation system, and the system of binding policies and procedures. These activities are coordinated with parent company Intesa Sanpaolo, which discusses the guidelines for the management of market risks.

As part of its functions, the Market Risk Department is responsible for the:

- calculation, development and definition of the risk indicators: Value at Risk, sensitivity and greeks, level measures, stress tests and scenario analyses;
- monitoring of operating limits;
- establishment of the parameters and rules for the revaluation of assets subject to mark-to-market and fair value at Group level, as well as their direct revaluation when this cannot be obtained from instruments available to the business units;
- comparison of the P&L with the risk indicators and in particular with the VaR (so-called backtesting).

Scope of application and characteristics of the risk measurement and reporting system

The activities for the quantification of trading risks are based on daily and period estimates of sensitivity of the trading portfolios of VUB to adverse market movements of the following risk factors:

- interest rates;
- equity and market indexes;
- foreign exchange rates;
- implied volatilities;
- spreads in credit default swaps;
- spreads in issued bonds;

The risk indicators used may be divided into four main types:

- Value at Risk (VaR), which represents the backbone of the whole risk management system due to its characteristics of uniformity, consistency and transparency in relation to both economic capital and the operations;
- sensitivity and greeks, which are the essential accompaniment to the VaR indicators due to their ability to capture the sensibility and the direction of the existing financial trading positions in relation to the various individual risk factors;
- level measures (such as notional and Mark to Market), which are a useful aid to the above indicators as an immediately applicable solution;
- stress tests and scenario analyses that enable the completion of the analysis of the overall risk profile, capturing changes in predetermined assumptions relating to the evolution of the underlying risk factors, also simulating anomalous market conditions (opening of the basis risks, worst case).

The reporting system is continuously updated in order to take into account the evolution of the operations, the organisational structures and the analytical methods and tools available.

Policies for hedging and mitigating risk

In VUB, monthly ALCO meetings are held during which the main risk factors of the portfolios are discussed. The monitoring and discussions take place on the basis of a series of reports by the Market Risk Department based on standard quantitative indicators (VaR, greeks, and issuer risk) and stress indicators (what if analysis, stress tests on

particular macroeconomic scenarios/risk factors). This set of information represents an effective means for deciding policies for the hedging and mitigating of risk, as it enables the provision of detailed recommendations to the trading rooms on the risk profile of the books, and the identification of any idiosyncratic risks and concentrations, and the suggestion of methods for the hedging of exposures considered to be a potential source of future deteriorations in the value of the portfolios.

Strategies and processes for the ongoing assessment of their effectiveness

At operational level, the daily information (VaR, sensitivities, level measures, control of assigned limits) is provided by Market Risk department to all business units and senior management. Based on that, risk indicators are discussed between risk and business units and if necessary corrective actions must be performed.

2.6 Market risks – banking book

Risk management strategies and processes

Market risk originated by the banking book arises primarily in the VUB, and partly in subsidiaries like CFH and VUB leasing in both cases it relates mainly to interest rate risk.

Specifically, in managing interest rate risk in the banking book, the VUB Group seeks to maximize profitability, by adopting operating methods consistent with the general stability of the financial results over the long term. ALCO is responsible for the assessment of the overall risk profile of the Group.

The foreign exchange risk in banking book refers to the exposures deriving from the commercial operations and strategic investment decisions of VUB. The main sources of foreign exchange risk consist of foreign currency loans and deposits held by corporate and retail customers, purchases of securities, equity investments and other financial instruments in foreign currencies, and conversion into domestic currency of assets, liabilities. The foreign exchange risk in banking book is closed and transferred on daily basis to trading book. Foreign exchange risk in subsidiaries is kept at very low level as a result of VUB Group strategy to keep their assets and liabilities in foreign currencies at minimum level.

Structure and organisation of the associated risk management function

Within the VUB Group, the market risks of the Banking Book and the Liquidity risk (discussed below) are overseen by the ALM Unit and Market Risk department, which are responsible for:

- setting out the criteria and methods for the measurement and management of the financial risks of the banking book (interest rate, foreign exchange, and liquidity);
- proposing the system of operational limits and the guidelines for the management of financial risks for the subsidiaries;
- measuring the financial risks of the banking book;
- analysing the overall financial risk profile of the Group's banking book, proposing any corrective measures,
- managing the assessment and measurement of the effectiveness of the hedging relationships (hedge accounting) required by the IAS/IFRS regulations

Scope of application and characteristics of the risk measurement and reporting system

Two types of measurement have been adopted for the measurement of the financial risks generated by the banking book.

Shift sensitivity analysis quantifies the change in value of a financial portfolio resulting from adverse movements in the main risk factors (interest rate).

Sensitivity of the interest margin is measured by quantifying the impact on net interest income of a parallel and instantaneous shock in the interest rate curve, over a period of 12 months.

The calculations are applied on both VUB and individually on its subsidiaries.

Policies for hedging and mitigating risk

Hedging of interest rate risk is aimed (i) at protecting the banking book from variations in the fair value of loans and deposits due to movements in the interest rate curve, or (ii) at reducing the volatility of future cash flows related to a particular asset/liability.

The main types of derivative contracts used are interest rate swaps (IRS), cross-currency swaps (CCS) and FRAs contracts.

Hedging activities performed by the bank are recorded using various hedge accounting methods. A first method refers to the fair value hedge of assets and liabilities specifically identified (microhedging), mainly bonds issued or acquired by the Bank.

Another hedging method used is the cash flow hedge which has the purpose of stabilising interest flow on variable rate funding.

The Market Risk Department is in charge of measuring the effectiveness of interest rate risk hedges for the purpose of hedge accounting, in compliance with international accounting standards.

Foreign exchange risk deriving from operating positions in foreign currency in the banking book is systematically transferred to VUB trading book, for the purpose of guaranteeing the elimination of such risk.

Foreign exchange risk in subsidiaries is mitigated by the practice of raising funds in the same currency as assets.

2.7 Liquidity risk

Liquidity risk is defined as the risk that the bank is not able to meet its payment obligations when they fall due (funding liquidity risk). Normally, the bank is able to cover cash outflows with cash inflows, highly liquid assets and its ability to obtain credit. With regard to the highly liquid assets in particular, there may be strains in the market that make them difficult (or even impossible) to sell or be used as collateral in exchange for funds. From this perspective, the bank's liquidity risk is closely tied to the market liquidity conditions (market liquidity risk).

The Guidelines for Liquidity Risk Management adopted by the VUB Group outline the set of principles, methods, regulations and control processes required to prevent the occurrence of a liquidity crisis and call for the Group to develop prudential approaches to liquidity management, making it possible to maintain the overall risk profile at extremely low levels.

The basic principles underpinning the Liquidity Policy of the VUB Group are:

- the existence of an operating structure that works within set limits and of a control structure that is independent from the operating structure;
- a prudential approach to the estimation of the cash inflow and outflow projections for all the balance sheet and off-balance sheet items, especially those without a contractual maturity (or with a maturity date that is not significant);
- assessment of the impact of various scenarios, including stress testing scenarios, on the cash inflows and outflows over time;
- maintenance of an adequate level of unencumbered highly liquid assets, capable of enabling ordinary operations, also on an intraday basis, and overcoming the initial stages of a shock involving the Group's liquidity or system liquidity.

VUB directly manages its own liquidity and coordinates its management at VUB Group level, ensures the adoption of adequate control techniques and procedures, and provides complete and accurate information to ALCO and the Statutory Bodies.

The departments of the bank that are in charge of ensuring the correct application of the Guidelines are the Treasury Department, responsible for short term liquidity management, the ALM department, responsible for medium and long term liquidity management and the Market Risk Department, responsible for monitoring indicators and verifying the observation of limits.

These Guidelines are broken down into three macro areas: "Short term Liquidity Policy", "Structural Liquidity Policy" and "Contingency Liquidity Plan".

The short term Liquidity Policy includes the set of parameters, limits and observation thresholds that enable the measurement, both under normal market conditions and under conditions of stress, of the liquidity risk exposure over the short term, setting the maximum amount of risk to be assumed and ensuring the utmost prudence in its management.

The structural Liquidity Policy of the VUB Group incorporates the set of measures and limits designed to control and manage the risks deriving from the mismatch of the medium to long-term maturities of the assets and liabilities, essential for the strategic planning of liquidity management. This involves the adoption of internal limits for the transformation of maturity dates aimed at preventing the medium to long-term operations from giving rise to excessive imbalances to be financed in the short term.

Together with the short term and structural Liquidity Policy, the Guidelines provide for the management methods of a potential liquidity crisis, defined as a situation of difficulty or inability of the Bank to meet its cash commitments falling due, without implementing procedures and/or employing instruments that, due to their intensity or manner of use, do not qualify as ordinary administration.

The Contingency Liquidity Plan, by setting itself the objectives of safeguarding the Group's capital and, at the same time, guaranteeing the continuity of operations under conditions of extreme liquidity emergency, ensures the identification of the pre-warning signals and their ongoing monitoring, the definition of procedures to be implemented in situations of liquidity stress, the immediate lines of action, and the intervention measures for the resolution of emergencies. The pre-warning indexes, aimed at spotting the signs of a potential liquidity strain, both systemic and specific, are continuously recorded and reported to the departments responsible for the management and monitoring of liquidity.

The liquidity position of the bank and the subsidiaries is regularly presented by Market Risk Department and discussed during the ALCO meetings.

2.8 Operational risk

Operational risk management strategies and processes

The VÚB Group, in coordination with Intesa Sanpaolo, has defined the overall operational risk management framework by setting up a Group policy and organizational process for measuring, managing and controlling operational risk.

The control of operational risk was attributed to the Group Operational Risk Committee, which identified risk management policies and submits for approval and verification to Management Board of VÚB Bank. Supervisory Board of VÚB Bank guarantees the functionality, efficiency and effectiveness of the risk management and controls system.

The Group Operational Risk Committee (made up of the heads of the areas of the governance centre and of the business areas more involved in operational risk management), has the task of periodically verifying the Group's overall operational risk profile, defining any corrective actions, coordinating and monitoring the effectiveness of the main mitigation activities and approving the operational risk management transfer strategies.

Organizational structure of the associated risk management function

For some time, the Group has had a centralized function within the Risk Management Division for the management of the Group's operational risks. This function is responsible, in coordination with parent company, for the definition, implementation and monitoring of the methodological and organizational framework, as well as for the measurement of the risk profile, the verification of mitigation effectiveness and reporting to Top Management. In compliance with current requirements, the individual organizational units participated in the process and each of them was assigned the responsibility for the identification, assessment, management and mitigation of its operational risks. Specific offices and departments have been identified within these organizational units to be responsible for Operational Risk Management. These functions are responsible for the collection and structured census of information relating to operational events, scenario analyses and evaluation of the level of risk associated with the business environment. The Risk Management Division carries out second level monitoring of these activities.

Scope of application and characteristics of the risk measurement and reporting system

Upon request of the parent company, VÚB Bank as part of the Group request has received in February 2010, from relevant Supervisory authorities, approval for usage and thus adopted the Advanced Measurement Approach (AMA), for Operational Risk management and measurement.

As such, VÚB Group uses combination of Advanced Measurement Approach (for VÚB Bank), and Standardized and Basic Indicator Approach (for Bank's subsidiaries).

For the use of the AMA, the Bank has set up, in addition to the corporate governance mechanisms required by the Supervisory regulations, an effective system for the management of operational risk certified by the process of annual self-assessment carried out by the Bank and VÚB Group Companies that fall within the scope of AMA and TSA. This self-assessment is verified by the internal auditing department and submitted to the Management Board for the annual certification of compliance with the requirements established by the regulation.

Under the AMA approach, the capital requirement is calculated by internal model, which combines all elements stipulated in Supervisory regulation, allowing to measure the exposure in a more risk sensitive way. Monitoring of operational risks is performed by an integrated reporting system, which provides management with the information necessary for the management and/or mitigation of the operational risk.

Policies for hedging and mitigating risk

The VÚB Group, in coordination with parent company, has activated a traditional operational risk transfer policy (insurance) with the objective of mitigating the impact of any unexpected losses, and thus contributing to the reduction of Capital at Risk.

2.9 Other risks

The VÚB Group has also identified and monitors other risks, consisting of:

- Real Estate: risk associated with an unfavourable change in the value of real estate assets owned;
- Strategic: current or prospective risk of a reduction in profits or capital caused by changes in the business environment, or the erroneous or inadequate implementation of decisions, or poor responsiveness to competitive developments (it is assessed net of the prospective profit);
- Reputational: current or prospective risk of a decline in profits or capital should customers, counterparties, shareholders, investors or supervisors take a negative view of the bank. Reputational risks also include the reputational component of Compliance Risks;

These risks are incorporated in the measurement of economic capital, used to assess capital adequacy.

3. Scope of application

Legal entity controlling VÚB, a.s.¹⁷

Trade name	% share	Registered office	Company ID No.
Intesa Sanpaolo Holding International S.A.	96.764	35 Boulevard du Prince Henri, L-1724, Luxemburg, Luxemburg	B 44318

Legal entities controlled by the shareholder controlling VÚB, a.s.

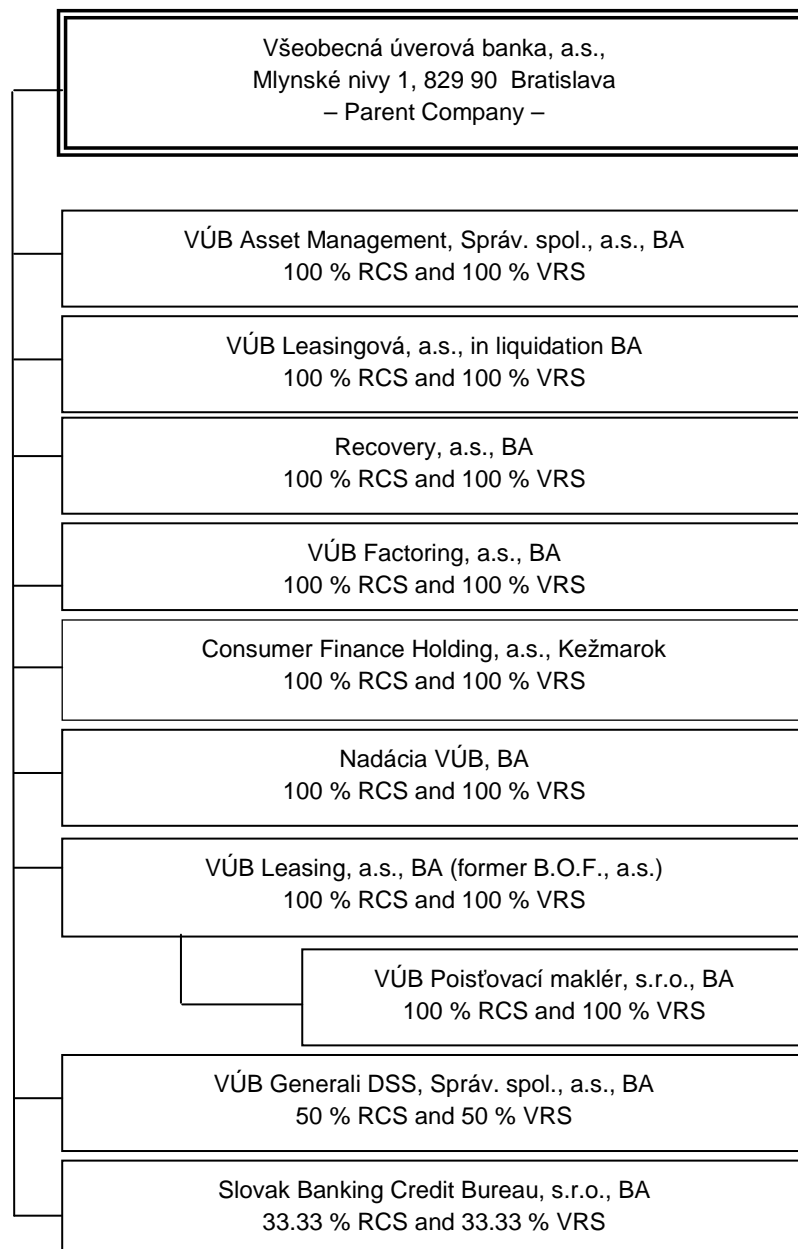
(The Group of Intesa Sanpaolo Holding International S.A. Luxemburg)

Trade name	% share	Registered office	Company ID No.
Central-European International Bank Ltd (CIB BANK LTD)	100.00	Medve utca, 4-14 H 1027 Budapest, Hungary	110041004 (55100551)
Sudameris S.A.	99.87	23, rue Linois 75015, Paris, France	RCS 542056544
Société Européenne de Banque S.A.	100.00	19-21 Boulevard du Prince Henri, L-1724 Luxemburg, Luxemburg	B 13859
Intesa Global Finance Company Ltd.	100.00	Riverside One Sir John Rogerson's Quay Dublin Ireland	406434
Banca Intesa ad Beograd	93.00	Milentija Popovica 7b, 11070 Beograd, Serbia and Montenegro	7759231
Privredna Banka Zagreb d.d.	76.59	Rackoga 6, HR-10000 Zagreb, Croatia	80002817
KMB Bank - Small Business Credit Bank	75.00	31 Shabolovka St., bldg. B, Moscow, 115162 Russia	7708022300
Intesa Sodic Trade Finance Ltd	50.00	Wellington House, 125 The Strand, WC2ROAP, London, the U.K.	3487487
Atlantis S.A.	100.00	San Martin 195, 1038 Buenos Aires, Argentina	(100028550)
China International Packaging Co. Ltd (LEASEPACK)	17.50	Building No. 2, 54 North-West Third Ring Rd, 100044 Beijing, Haidan District, China	(7110014)
ISB d.d. Bosna i Hercegovina	86.47	Obala Kulina Bana 9A 71000 Sarajevo, Bosna i Hercegovina	4200720670007 (1-4639)
Servitia	100.00	23 Boulevard du Prince Henri, L-1724 Luxemburg, Luxemburg	B 14241

Legal entity controlling Intesa Holding Sanpaolo International S.A. Luxembourg

Trade name	% share	Registered office	Company ID No.
Intesa Sanpaolo S.p.A.	100.00	Piazza San Carlo 156, Torino, Italy	799960158

¹⁷ NBS decree 1/2007 §1, section 5

Chart of consolidated VUB Group


RCS = Registered Capital Stake

VRS = Voting Right Share

Share of VUB bank on the equity and voting rights of the individual members of the consolidated group headed by VUB bank

Business Name	Registered Office	Registered Capital Stake of VUB	Voting Rights Share of VUB	Core Business
VÚB Asset Management, správ. spol., a.s IČO: 35 786 272	Mlynské nivy 1, Bratislava	100%	100%	Collective investments
VÚB Leasingová, a.s. (in liquidation) IČO: 35 797 789	Dunajská 24, Bratislava	100%	100%	Leasing business
Recovery, a.s., IČO: 35 771 615	Mlynské nivy 1, Bratislava	100%	100%	Leasing business
VÚB Factoring, a.s. IČO: 31 345 310	Mlynské nivy 1, Bratislava	100%	100%	Factoring and forfeiting
Consumer Finance Holding, a.s. IČO: 35 923 130	Hlavné nám. 12, Kežmarok	100%	100%	Non-banking Credit Provision
Nadácia VÚB IČO: 30 856 043	Mlynské nivy 1, Bratislava	100%	100%	Public Beneficial Activity
VÚB Leasing, a.s. IČO: 31 318 045	Mlynské nivy 1, Bratislava	100%	100%	Financial and operational leasing
VÚB Poist'ovaci makler, s.r.o. IČO: 35 897 694	Mlynské nivy 1, Bratislava	100%	100%	Insurance intermediary agent
VÚB Generali d.s.s., a.s., IČO: 35 903 058	Mlynské nivy 1, Bratislava	50%	50%	Pension fund management
Slovak Banking Credit Bureau, s.r.o. IČO: 35 869 810	Malý trh 2/A, Bratislava	33.33%	33.33%	Automated data processing

All companies operate predominantly in the Slovak Republic.

Basis of consolidation for accounting and prudential purposes¹⁸

The principals and methods of consolidation used for accounting and prudential purposes are equal.

	Principal business activity	Share in %	Consolidated fully (line-by-line)	Consolidated proportionally	Deducted from capital	Added to RWA
Subsidiaries						
Consumer Finance Holding, a.s.	Consumer finance	100	X			
VÚB Leasing, a. s.	Finance leases	100	X			
VÚB Asset Management, správ. spol., a.s.	Asset management	100	X			
VÚB Factoring, a.s.	Factoring of receivables	100	X			
VÚB poisťovací maklér s.r.o.	Insurance mediation	100	X			
VÚB Leasingová, a.s. (in liquidation)	Finance leases	100	X			
Recovery, a.s.	Finance leases	100	X			
Associates						
Slovak Banking Credit Bureau, s.r.o.	Credit database administration	33.3		X	X	
Jointly controlled entities						
VÚB Generali DSS, a.s.	Pension fund administration	50		X	X	
Available-for-sale portfolio						
RVS, a.s.	Services	8.38				X
S.W.I.F.T.	Payment settlement	0.02				X
Visa Europe Limited	Credit cards	0.01				X
Visa Inc.	Credit cards	0				X

¹⁸ NBS decree 1/2007 §1, section 8a)

4. Regulatory capital structure¹⁹

4.1 Qualitative disclosure

Regulatory capital includes items forming the value of basic own funds (ordinary share capital, share premium, retained earnings, legal reserve fund) and items decreasing the value of basic own funds (intangible assets, goodwill and investments with significant influence).

4.2 Quantitative disclosure

Regulatory capital structure

The structure of the regulatory capital of the VUB Bank as at 31 March 2010 is summarised in the table below:

	EUR thousand
A. Tier 1 capital before the application of prudential filters	790,834
B. Tier 1 capital prudential filters	-
B.1 Positive IAS/IFRS prudential filters (+)	-
B.2 Negative IAS/IFRS prudential filters (-)	-
C. Tier 1 before items to be deducted (A+B)	790,834
D. Items to be deducted from Tier 1	-
E. Total Tier 1 capital (C-D)	<u>790,834</u>
F. Tier 2 capital before the application of prudential filters	-
G. Tier 2 capital prudential filters	-
G.1 Positive IAS/IFRS prudential filters (+)	-
G.2 Negative IAS/IFRS prudential filters (-)	-
H. Tier 2 before items to be deducted (F+G)	-
I. Items to be deducted from Tier 2	-
L. Total Tier 2 capital (H-I)	<u>-</u>
M. Items to be deducted from total Tier 1 and Tier 2 capital	<u>(115,257)</u>
N. Regulatory capital (E+L-M)	<u>675,577</u>
O. Tier 3 capital	-
P. Regulatory capital including Tier 3 (N+O)	<u><u>675,577</u></u>

¹⁹ NBS decree 1/2007 §1, section 9)

	EUR thousand
TOTAL TIER 1 CAPITAL(*)	
Breakdown of positive items	
Share capital	430,819
Share premium reserve	13,368
Reserves	369,629
Non-innovative equity instruments	-
Innovative equity instruments	-
Net income for the period	-
Positive IAS/IFRS prudential filters (+)	-
Fair value option: changes in bank's own creditworthiness	-
Other positive prudential filters	-
TOTAL POSITIVE ITEMS	<u>813,816</u>
Breakdown of negative items	
Own shares or quotas	-
Goodwill	-
Other intangible assets	(22,982)
Loss for the period	-
Adjustments to loans	-
Adjustments calculated on the regulatory trading book	-
Other	-
Negative IAS/IFRS prudential filters (-)	-
Fair value option: changes in bank's own creditworthiness	-
Negative reserves on equities and quotas of UCITS available for sale	-
Negative reserves on debt securities available for sale	-
Other negative prudential filters	-
TOTAL NEGATIVE ITEMS	<u>(22,982)</u>
TOTAL TIER 1 CAPITAL BEFORE ITEMS TO BE DEDUCTED	790,834
TOTAL ITEMS TO BE DEDUCTED	<u>(115,257)</u>
TOTAL TIER 1 NET OF ITEMS TO BE DEDUCTED	<u><u>675,577</u></u>

5. Capital adequacy²⁰

5.1 Qualitative disclosure

Assessment of the adequacy of the Bank's internal capital

The management of capital adequacy consists of a series of policies that determine the size and optimal combination of the various capitalization instruments, in order to ensure that the levels of capital of the VÚB Group and its subsidiaries are consistent with the risk profile assumed and meet the supervisory requirements.

The concept of capital at risk differs according to the basis for its measurement, and different target levels of capitalization are established:

- Regulatory Capital for Pillar 1 risks;
- overall Economic Capital for Pillar 2 risks, for the ICAAP process.

The regulatory capital and the overall Economic Capital differ by definition and in terms of the coverage of the risk categories. The former derives from the formats laid down by the supervisory provisions and the latter from the identification of the significant risks for the Intesa VÚB Group and the consequent measurement in relation to the exposure assumed.

Capital Management essentially involves the control of capital soundness through the careful monitoring of both the regulatory constraints (Basel 2 Pillar 1) and current and prospective operational constraints (Pillar 2) in order to anticipate any critical situations within a reasonable period of time and identify possible corrective actions for the generation or recovery of capital.

The processes of assessment of capital adequacy are therefore based on a "twin track" approach:

regulatory capital for the purposes of compliance with the Pillar 1 requirements and overall Economic Capital for the purposes of the ICAAP process.

The VÚB Group assigns a primary role to the management and allocation of capital resources, also for the management of its operations. In this regard, the allocation of capital to the Business Units is established on the basis of their specific capacity to contribute to the creation of value, taking into account the level of return expected by the shareholders. To this end, internal systems are used to measure performance (EVA) on the basis of both the regulatory capital and the economic capital, in accordance with the criteria of the "use test" established by the supervisory provisions.

Verification of compliance with supervisory requirements and consequent capital adequacy is continuous and depends upon the objectives set out in the Business Plan.

The first verification occurs in the process of assignment of budget objectives: based on the growth trends expected for loans, other assets and income statement aggregates, the risks are quantified and their compatibility with compulsory capital ratios for the Bank and for the Group as a whole is assessed.

Compliance with capital adequacy is obtained via various levers, such as pay-out policy, definition of strategic finance operations and the management of loan policy on the basis of counterparty risk.

This dynamic management approach is aimed at identifying the risk capital raising instruments and hybrid capital instruments most suitable to the achievement of the objectives.

Compliance with the target levels of capitalization is monitored during the year and on a quarterly basis, taking appropriate actions, where necessary, for the management and control of the balance sheets aggregates.

A further step in the preventive analysis and control of the Group's capital adequacy takes place whenever extraordinary operations (such as acquisitions, disposals, joint ventures etc.) are resolved upon. In this case, on the basis of the information on the operation to be conducted, its impact on capital ratios is estimated and any necessary actions to ensure compliance with the requirement set forth by Supervisory Authorities are planned.

The VÚB Group attaches great importance to risk management and control as conditions for:

- guaranteeing that the Group structure is consistent with the risk tolerances of the various stakeholders, by combining sustainable value creation with a level of risk considered to be acceptable;
- ensuring the Group's capital and financial adequacy, to effectively safeguard business continuity and the public and social objectives of financial stability of intermediaries;
- enabling the transparent representation of the risk profile of its portfolios.

²⁰ NBS decree 1/2007 §1, section 10)

The economic capital, defined as the maximum “unexpected” loss that the Group may incur over a period of one year, is a key measure for determining the Group’s financial structure and guiding its operations, ensuring the balance between risks assumed and shareholder return.

Consequently, when determining the risk tolerance considered to be acceptable, the Group’s objective is to ensure that its liabilities are covered over a period of 12 months with a 99.9%.

With regard to the objectives of financial stability, the Group’s aim is to ensure that risk is covered with a 99.9% confidence level, even under conditions of stress.

The Group sets out these general principles in policies, limits and criteria applied to the various risk categories and business areas with specific risk tolerance sub-thresholds, in an intricate framework of governance, control limits and procedures.

The risks identified, covered and incorporated within the economic capital, considering the benefits of diversification, are as follows:

- credit risk. This category also includes concentration risk, country risk and residual risks on credit recovery rates;
- market risk (trading book), including position, settlement and concentration risk on the trading book;
- operational risk, including legal risk;
- financial risk of the banking book, mainly represented by:
 - o interest rate and foreign exchange rate risk;
 - o risk on equity investments not subject to line by line consolidation;
 - o risk on real estate assets owned for whichever purpose;
 - o strategic risk;
 - o reputation risk;
 - o liquidity risk.

The level of absorption of economic capital is estimated on the basis of the current situation and also at a forecast level, based on the Budget assumptions and the projected economic scenario under ordinary and stress conditions. The capital position forms the basis for the business reporting and is submitted quarterly to the Management Board and the Supervisory Board, as part of the Group’s Risk report.

5.2 Quantitative disclosure²¹

Capital requirements and capital ratios of the VUB Group

2007 saw the entry into force of the Decree of the National Bank on bank’s own funds of financing and bank’s capital requirements and on securities dealers’ own funds of financing and securities dealers’ capital requirements (Decree of NBS no 4/2007) that adopt the provisions on the International convergence of capital measurement and capital standards (Basel 2). Within this framework, the Banking Group’s capital must represent at least 8% of the total of the weighted assets (total capital ratio) deriving from the typical risks of the banking and financial business (credit, counterparty, market and operational risks), weighted on the basis of the regulatory segmentation of the borrowing counterparties and taking into account the credit risk mitigation techniques.

Banks must comply with capital requirements for market risks calculated on the whole trading book separately for the various types of risk: position risk on debt securities, settlement risk, and concentration risk. Moreover, with reference to the entire financial statements, foreign exchange risk and position risk on commodities must be calculated. The use of internal models to calculate the capital requirement for market risks is permitted.

In addition to the Total capital ratio referred to above, other ratio is also used to assess capital base soundness: the Tier 1 capital ratio, represented by the ratio between Tier 1 capital and riskweighted assets.

As at 31 March 2010 these ratios determined on the basis of the previous method (Basel 1) were respectively: Tier 1 ratio 13,74%, and Total capital ratio 11.41%

²¹ NBS decree 1/2007 §1, section 10)

Total capital requirement for VUB bank as at 31 March 2010 was as follows:

	Unweighted amounts	Weighted amounts	EUR thousand Requirements
A Capital Requirements			
A.1 Credit and counterparty risks	10,507,242	5,472,709	440,009
1. Standard methodology	10,507,242	5,472,709	440,009
2. Internal models (IRB)			
3. Securitisations			
A.2 Market risk			5,281
1. Standard methodology			3,780
2. Internal models			1,501
3. Concentration risk			
A.3 Operational risk			40,564
1. Basic indicator approach			
2. Standardised approach			
3. Advanced approach			40,564
A.4 Other capital requirements			
A.5 Total capital requirements			485,854
B. CAPITAL RATIOS (%)			
B.1 Core Tier 1			790,834
B.2 Tier 1 ratio			13.02
B.3 Total capital ratio			11.12

The tables below provide details of the Bank's different capital requirements as at 31 March 2010.

Capital requirement for VUB bank for Credit Risk (Standardised Approach)

	EUR thousand Capital requirement
Regulatory portfolio	
Exposures to or secured by governments and central banks	0
Exposures to or secured by local authorities	2,591
Exposures to or secured by not for profit and public sector organisations	1,292
Exposures to or secured by multilateral development banks	-
Exposures to or secured by international organisations	-
Exposures to or secured by supervised institutions	8,336
Exposures to or secured by corporates	239,433
Retail exposures	78,337
Exposures secured by real estate property	81,397
Past due exposures	8,958
High-risk exposures	-
Exposures in the form of guaranteed bank bonds (covered bonds)	-
Short-term exposures to corporates	-
Exposures to UCITS	-
Other exposures	-
Securitised exposures	17,472
Total Capital requirement for Credit Risk (Standardised Approach) 1	437,817

The capital requirement for "counterparty risk" for the regulatory trading book as at 31 March 2010 is 2,192 thousand euro.

Capital requirement for Market Risk

	EUR thousand Capital requirement
FX risk and IR risk (Internal model)	1,501
FX risk (simple approach)	-
Specific risk	<u>3,780</u>
Total Capital requirement for Market Risk	<u><u>5,281</u></u>

Capital requirement for Operational Risk

	EUR thousand Capital requirement
Regulatory portfolio	
Basic indicator approach	-
Standardized approach	-
Advanced Measurement Approach	40,564

6. Credit risk²²

6.1 Qualitative Disclosure – General

Definitions of “non-performing loans” and “past due” loans²³

For non-performing loans definition VUB Group took over the definition used for Intesa Sanpaolo reporting, i.e. based on the coverage of provisions. Generally all credit receivables with the provision coverage over 19% are considered as non-performing regardless the number of days past due.

For regulatory reporting the Regulator definition on non-performing loans is followed.

Bank also monitors its portfolio based on the number of past due days. Portfolio is then divided between performing (= in bonis or zero days past due) and delinquent (split further into delinquency buckets for 30 days, i.e. 1-29, 30-59, etc.). As the bank adopted the Basel 2 default definition, the special focus is made on past due loans over 90 days, as 90 days past due status is one of the condition of default of client or transaction.

Harmonization project

The VUB Group participates on the Harmonization project driven by Intesa Sanpaolo with the goal to unify the definitions and categories of non-performing loans across the Intesa Sanpaolo foreign subsidiaries. The project covers non performing (substandard, doubtful) loans as well as the restructured exposures and its first outcomes are expected in 2010.

Watchlisted exposures

Obligors with on and off-balance sheet exposures in a temporary situation of objective difficulty which may be expected to be remedied within a reasonable period of time regardless they delinquency status are put on watchlist. Triggers for watchlist entering are set in internal guidelines

Restructured exposures

On and off-balance sheet exposures for which a bank as a result of the deterioration of the obligor's financial situation, agrees to change/amend the original terms and conditions (e.g. the maturity). Rules for proving of deterioration of the obligor's financial situation is set in internal guidelines.

Description of the methods adopted to calculate the adjustments (impairments)²⁴

All credit assets are on monthly basis subject to the impairment test to assess whether there is objective evidence to consider that the carrying value of these assets is not fully recoverable.

Individual impairment is calculated on an individual basis for financial assets that have a specific evidence of losses, collective impairment (provisions and reserves) for financial assets which do not qualify for the individual impairment.

For individual impairment qualify credit assets which meet condition of objective evidence of impairment and trigger for significant exposure. Definition of objective evidence of impairment is based on IAS 39 definition (significant financial difficulty of the obligor, breach of contract such as default or delinquency or high probability of obligor's bankruptcy)

The methodology for measuring the loss from individually assessed impairment requires the use of estimates for:

- The expected amount to be recovered from the asset;
- The expected amount to be recovered from the utilization of any collateral / guarantee, less costs for obtaining and selling the collateral;
- The expected timing to recover the asset and the collateral.

The amount of loss is measured as the difference between the asset's carrying amount and the present value of estimated future cash flows discounted at the loan's original effective interest rate (i.e. the effective interest rate computed at initial recognition).

Credit assets which do not meet the condition of objective evidence of impairment and/or the trigger for significant exposure are subject to collective assessment of impairment – provisions (for on balance sheet) or reserves (for off balance sheet). Collective assessment of impairment requires the grouping of financial assets on the basis of similar credit risk characteristics that are indicative of the obligor's ability to pay all amounts due according to the contractual terms. On this basis, the bank will identify the historical series of default data and apply systems to recognize loan

²² NBS decree 1/2007 §1, section 11)

²³ NBS decree 1/2007 §1, section 11a)

²⁴ NBS decree 1/2007 §1, section 11b)

losses. The bank adopted three methodologies dependent on the ratings, data quantity, quality and time series: BASEL II IRB approach (PD x LGD x EAD), minimal requirements and Markov chains methodology.

Write-Off Policy

The Bank writes off a loan or security balance (and any related allowances for impairment losses) when it determines that the loans or securities are uncollectible. As the standard, the Bank considers the credit balances to be uncollectible based on the past due days. Since the beginning of 2008 the write-off policy has been changed from 180 to 1,080 days past due. Thus receivables are no longer written off and sold after 180 days past due, but are collected by external collection agencies until they qualify for write-off and tax deductibility.

The credit balance can be written off earlier than defined in the conditions described above if there is evidence that the receivable cannot be collected. The write-off of such receivables is subject to the approval of the Chief Risk Officer.

6.2 Quantitative disclosure – General

Overall credit exposure of VUB Bank by risk class as at 31 March 2010 ²⁵

		EUR thousand		
		Amortized cost	Impairment losses	Carrying amount
Banks				
	Performing	294,922	-	294,922
	Bad and Doubtful	151	(151)	-
		<u>295,073</u>	<u>(151)</u>	<u>294,922</u>
Sovereigns				
	Performing	35,959	-	35,959
	Substandard	-	-	-
	Bad and Doubtful	-	-	-
		<u>35,959</u>	<u>-</u>	<u>35,959</u>
Corporate				
	Performing	2,301,590	(37,464)	2,264,126
	Substandard	19,148	(6,797)	12,351
	Bad and Doubtful	31,999	(25,991)	6,008
		<u>2,352,737</u>	<u>(70,252)</u>	<u>2,282,485</u>
Retail				
	Performing	3,257,312	(68,280)	3,189,032
	Substandard	72,444	(19,452)	52,992
	Bad and Doubtful	77,346	(62,780)	14,566
		<u>3,407,102</u>	<u>(150,512)</u>	<u>3,256,590</u>
Securities				
	Performing	3,492,152	(346)	3,491,806
	Substandard	-	-	-
		<u>3,492,152</u>	<u>(346)</u>	<u>3,491,806</u>

²⁵ NBS decree 1/2007 §1, section 11c)

Overall credit exposure of VUB Bank by delinquency of payments as at 31 March 2010

	Amortized cost	Impairment losses	EUR thousand Carrying amount
Banks			
No delinquency	294,739	-	294,739
1 - 30	183	-	183
91 - 180	151	(151)	-
	<u>295,073</u>	<u>(151)</u>	<u>294,922</u>
Sovereigns			
No delinquency	35,262	-	35,262
1 – 30 days	443	-	443
31 – 60 days	189	-	189
61 – 90 days	-	-	-
91 – 180 days	48	-	48
Over 181 days	17	-	17
	<u>35,959</u>	<u>-</u>	<u>35,959</u>
Corporate			
No delinquency	2,236,768	(34,986)	2,201,782
1 – 30 days	21,312	(1,423)	19,889
31 – 60 days	16,745	(651)	16,094
61 – 90 days	7,959	(2,449)	5,510
91 – 180 days	5,500	(2,144)	3,356
Over 181 days	64,453	(28,599)	35,854
	<u>2,352,737</u>	<u>(70,252)</u>	<u>2,282,485</u>
Retail			
No delinquency	3,050,007	(59,013)	2,990,994
1 – 30 days	160,422	(9,603)	150,819
31 – 60 days	35,526	(3,858)	31,668
61 – 90 days	23,105	(3,860)	19,245
91 – 180 days	30,950	(12,982)	17,968
Over 181 days *	107,092	(61,196)	45,896
	<u>3,407,102</u>	<u>(150,512)</u>	<u>3,256,590</u>
Securities			
No delinquency	<u>3,492,152</u>	<u>(346)</u>	<u>3,491,806</u>

Credit exposures of VUB Bank by geographical area as at 31 March 2010²⁶

	EUR thousand		
	Amortized cost	Impairment losses	Carrying amount
Europe			
Loans and advances to banks	261,039	(151)	260,888
Loans and advances to customers	5,793,201	(220,733)	5,572,468
HTM and AFS securities	3,486,839	-	3,486,839
	<u>9,541,079</u>	<u>(220,884)</u>	<u>9,320,195</u>
North America			
Loans and advances to banks	33,428	-	33,428
Loans and advances to customers	959	(19)	940
HTM and AFS securities	5,313	(346)	4,967
	<u>39,700</u>	<u>(365)</u>	<u>39,335</u>
Asia			
Loans and advances to banks	553	-	553
Loans and advances to customers	750	(11)	739
	<u>1,303</u>	<u>(11)</u>	<u>1,292</u>
Rest of the World			
Loans and advances to banks	53	-	53
Loans and advances to customers	888	(1)	887
	<u>941</u>	<u>(1)</u>	<u>940</u>

Net credit exposures of VUB Bank by industry sector as at 31 March 2010²⁷

	EUR thousand				
	Banks	Sovereigns	Corporate	Retail	Securities
Agriculture	-	-	46,823	25,786	-
Construction	-	-	150,057	17,827	-
Consumers	-	-	-	3,034,775	-
Energy and water supply	-	-	119,342	1,422	-
Financial services	294,922	-	241,839	672	149,711
Government	-	35,960	363	10	3,330,808
Manufacturing	-	-	413,263	34,040	-
Professional services	-	-	64,083	8,532	-
Real estate	-	-	362,445	24,514	-
Retail & Wholesale	-	-	581,379	70,901	9,752
Services	-	-	36,866	15,738	-
Transportation	-	-	228,866	8,758	-
Other	-	-	37,159	13,614	1,535

²⁶ NBS decree 1/2007 §1, section 11d)

²⁷ NBS decree 1/2007 §1, section 11e)

Changes in adjustments of VUB Group loans for the first quarter of 2010²⁸

	Performing loans	Substandard loans	EUR thousand Bad / Doubtful loans
A. Gross exposure as at 1 January	5,811,439	172,092	161,899
B. Current year movement (+)	1,203,008	89,339	40,104
B1. From performing loans	-	81,947	10,867
B2. From substandard loans	104,257	-	24,487
B3. From bad and doubtful loans	5,586	4,261	-
B4. Other increases	1,093,165	3,132	4,749
C. Current year movements (-)	1,157,122	143,087	28,130
C1. To performing loans	-	104,257	5,586
C2. Write offs	4	746	1,417
C3. Recoveries	-	-	-
C4. Sales	4,101	1,920	1,114
C5. To substandard loans	81,947	-	4,261
C6. To bad and doubtful loans	10,867	24,487	-
C7. Other decreases	1,060,203	11,677	15,753
D. Final gross exposure	5,857,326	118,345	173,873
E. Specific provisions as at 1 January	103,613	43,772	119,262
F. Current year movements (+)	22,117	29,695	29,150
F1. From performing loans	-	7,394	1,629
F2. Write down of loans	9,067	19,943	16,661
F3. From substandard loans	12,953	-	10,479
F4. From bad and doubtful loans	92	1,814	-
F5. Other increases	4	544	380
G. Current years movements (-)	12,412	39,039	10,495
G1. To performing loans	-	12,953	92
G2. Write ups	57	13,114	3,810
G3. Write offs	4	746	1,417
G4. Recoveries	2,359	1,747	3,225
G5. Sales	-	-	126
G6. To substandard loans	7,394	-	1,814
G7. To bad and doubtful loans	1,629	10,479	-
G8. Other decreases	970	-	11
H. Total specific provisions	113,317	34,427	137,916
I. Net exposure at the end of period	5,744,009	83,917	35,957

Movement of impairment losses of VUB Group for the first quarter of 2010

	1 Jan 2010	Creation/ (Reversal)	FX gains	Other	EUR thousand 31 Mar 2010
Loans and advances to banks	151	-	-	-	151
Loans and advances to customers	265,777	19,579	305	-	285,661
Held-to-maturity investments	377	(31)	-	-	346
Tangible assets	305	-	-	-	305
Other assets	10,752	(24)	36	-	10,764
	277,362	19,524	341	-	297,227

²⁸ NBS decree 1/2007 §1, section 11i)

Exposures by residual contractual maturity for VUB Bank as at 31 March 2010 ²⁹

							EUR thousand
	Up to 1 month	1 to 3 months	3 months to 1 year	1 to 5 years	Over 5 years	Not specified	Total
Financial assets							
Cash and balances with central banks	204,926	-	-	-	-	-	204,926
Loans and advances to banks	41,762	1,255	177,108	51,371	23,265	161	294,922
Financial assets held for trading	117	43,620	111,082	80,945	91	-	235,855
Available-for-sale financial assets	6,510	17,625	3,769	755,215	612,862	-	1,395,981
Loans and advances to customers	277,821	472,823	1,063,672	1,500,350	2,169,323	91,045	5,575,034
Held-to-maturity investments	6,108	27,779	692,364	609,442	524,277	-	1,859,970
Subsidiaries, associates and jointly controlled entities	-	-	-	-	-	115,260	115,260
	537,244	563,102	2,047,995	2,997,323	3,329,818	206,466	9,681,948
Financial liabilities							
Deposits from central and other banks	(686,527)	(10,032)	(186,416)	(12,985)	(36,140)	-	(932,100)
Deposits from customers	(4,473,635)	(373,566)	(992,200)	(800,655)	(53,849)	-	(6,693,905)
Debt securities in issue	(2,663)	(19,999)	(91,399)	(607,593)	(492,705)	-	(1,214,359)
	(5,162,825)	(403,597)	(1,270,015)	(1,421,233)	(582,694)	-	(8,840,364)
Net position of financial instruments	(4,625,581)	159,505	777,980	1,576,090	2,747,124	206,466	841,584
Cash inflows from derivatives	323,991	32,302	303,449	1,070,670	75,755	-	1,806,167
Cash outflows from derivatives	(324,471)	(32,444)	(305,120)	(1,062,745)	(74,758)	-	(1,799,538)
Net position from derivatives	(480)	(142)	(1,671)	7,925	997	-	6,629
Total net position	(4,626,061)	159,363	776,309	1,584,015	2,748,121	206,466	848,213

²⁹ NBS decree 1/2007 §1, section 11f)

6.3 Qualitative disclosure – portfolios subject to STD approach³⁰

External agencies used for the risk weighting determination:

- Fitch Ratings Ltd;
- Moody's Investors Service Limited;
- Standard & Poor's a division of The McGraw-Hill Companies, Inc.;

Bank applies ratings for the following segments:

- Institutions
- Governments and central banks
- Corporates

³⁰ NBS decree 1/2007 §1, section 12a-d)

6.4 Quantitative disclosure – portfolios subject to STD approach

Distribution of exposures by credit quality step by exposure class as at 31 March 2010 - VUB Bank³¹:

Regulatory portfolio	Exposure with credit risk mitigation	EUR thousand											
		Exposure without credit risk mitigation									other	Total	
		0%	10%	20%	35%	50%	75%	100%	150%	200%			
Exposures to or secured by governments and central banks	3,245,914	3,245,904	-	-	-	-	-	-	10	-	-	-	3,245,914
Exposures to or secured by local authorities	97,339	-	-	-	-	97,339	-	-	-	-	-	-	97,339
Exposures to or secured by not for profit and public sector organisations	16,812	-	-	-	-	-	-	-	16,859	-	-	-	16,859
Exposures to or secured by multilateral development banks	-	-	-	-	-	-	-	-	-	-	-	-	-
Exposures to or secured by international organisations	-	-	-	-	-	-	-	-	-	-	-	-	-
Exposures to or secured by supervised institutions	229,174	-	-	32,421	-	199,665	-	-	-	-	-	-	232,086
Exposures to or secured by corporates	3,910,616	-	-	-	-	87,200	-	3,879,797	-	-	-	-	3,966,997
Retail exposures	1,625,459	-	-	-	-	-	1,627,174	-	-	-	-	-	1,627,174
Exposures secured by real estate property	2,226,299	-	-	-	1,598,208	33	559,420	68,639	-	-	-	-	2,226,300
Past due exposures	98,332	-	-	-	-	-	-	75,816	27,284	-	-	-	103,100
High-risk exposures	-	-	-	-	-	-	-	-	-	-	-	-	-
Exposures in the form of guaranteed bank bonds (covered bonds)	-	-	-	-	-	-	-	-	-	-	-	-	-
Short-term exposures to corporates	-	-	-	-	-	-	-	-	-	-	-	-	-
Exposures to UCITS	-	-	-	-	-	-	-	-	-	-	-	-	-
Other exposures	360,802	92,466	-	10,102	-	-	-	192,412	-	-	-	-	294,980

³¹ NBS decree 1/2007 §1, section 12e)

7. Risk mitigation techniques³²

7.1 Qualitative disclosures

Policies and processes for collateral evaluation and management

The bank's collateral policy is an integral and indispensable part of the credit risk management and credit risk mitigation for VUB Group. Collateral is used primarily to provide the bank with the means for repayment of an exposure in the event of default by the borrower.

Collateral management policy includes the following:

- The establishment and maintenance of collateral policy comprising types of collateral taken by the Bank, the legal documentation used by the Bank to secure its right to this collateral in the event of a default and the valuation of this collateral at origination. These aspects of collateral management are addressed in this policy document;
- The relevant and proper perfection and registration of collateral to secure the bank's right to collateral in the event of default by the borrower;
- The regular monitoring and re-valuation of collateral held by the bank during the life of the exposure;
- The analysis, monitoring and review of realization rates achieved by Recovery Department activities in order to assess the effectiveness of the collateral policy as a risk mitigant, i.e. that the impact of the policy reduces the net credit loss suffered by the bank as a result of its lending activities across all segments and products;

The principal objective of collateral management policy is to clearly set up rules for a common and standard set of collateral types used by the bank in its lending activities. The rules, as the minimum, describe and state:

- Conditions for legal enforceability;
- Conditions for the process of valuation and the maximum values accepted by the bank at origination for the certain types of collaterals; and
- Conditions for the process of revaluation.

The bank's collateral management policy is implemented further through the issuance of product programs, which determine the type, form and coverage ratio of collateral appropriate to each product within a customer segment. The collateral requirements will reflect principally the rating of the obligor, the exposure amount and the maturity of the exposure.

Initial collateral evaluation is done as a part of the underwriting process, i.e. at the moment of granting of credit. This evaluation is based on the actual value, namely the market value, or, otherwise the realisable value. The resulting value is then multiplied by a haircut percentage rates, which are different according to type of collateral. The evaluation is done by external or internal specialist (depending on the type of collateral) and in case of real estate then supervised by internal expert. The enforcement of collateral is in case of obligor's default performed by Recovery department.

The presence of collateral does not grant exception from a complete assessment of the credit risk, which is mainly concentrated on borrower's ability to fulfil conditions for credit granting (i.e. to repay the loan), irrespective of the proposed type of collateral.

However, under certain conditions (type of obligor, assigned rating, and type of credit facility) the collateral has an impact, as the mitigating factor, on the determination of the conditions of the deal.

Generally bank accepts the following types of collateral:

- cash collateral (receivables from deposit accounts)
- pledge on securities (bonds, treasury bills, depository receipts, depository certificates, etc.)
- pledge on shares listed on regulated markets
- pledge on the managed portfolios (private banking)
- pledge on investment fund quotas
- pledge on bonds and warrants
- guarantees (states, banks, other financial institutions)
- guarantees (non-financial institutions)
- pledge on real estate property
- pledge on movable assets
- pledge on receivables
- pledge on inventories
- life insurance policies vinculation
- others (letter of comfort, execution title)

³² NBS decree 1/2007 §1, section 20a-e)

Bank defines precisely in internal rule which type of risk mitigation tools are not acceptable for the bank, and which haircut is applied for the accepted types in order to reach the value accepted by the bank.

For mortgage collateral separate process and methods are set in order to ensure the proper evaluation, monitoring and re-evaluation of the value of properties accepted as collateral. At the moment of mortgage granting the property is evaluated by external expert and then the appraisal is supervised by internal expert (supervisor). External expert must be included on the official list of professionals for real estate evaluation. Bank monitors quality of work of the experts on individual basis.

For some cases (depending on the transaction amount and type of collateral) the bank offers to client option to process only internal evaluation. The general value set by internal appraisal is then considered as the value accepted by the bank. Bank issued the Internal procedure in order to ensure that the standards and valuation criteria are uniform and the value of property is calculated clearly and transparently on the prudential basis. The value of property under construction is monitored on the ongoing basis by internal specialist who performs inspections, verify the progress of construction and prepare technical reports for loan disbursement for transactions on a work progress basis.

The value of pledged properties is regularly monitored on the portfolio basis. The property value is updated in the event of limitation or splitting of the mortgage, of damage of the property and in any case regularly at least once in three years (annual basis planned). Regular re-evaluation is done on the portfolio basis using statistical techniques based on the bank data and enhanced by the available data from Slovak market.

To cover the residual risks, the obligor is required to provide an insurance policy against damage, issued by insurance companies that have an agreement with or are approved by the bank.

The main types of guarantor and credit derivative counterparty and their creditworthiness

The bank did not enter into any credit derivative transaction.

Information about market or credit risk concentration under the credit risk mitigation tools used

Bank does not have any concentration under used credit risk mitigation tools. Given the fact that retail mortgages are the biggest portfolio of the bank, the majority of collateral represent the pledge on real estates. There are no particular concentrations on the individual obligor or geographical area level, bank sets the specific limit on concentration which is monitored on monthly basis.

7.2 Quantitative disclosure – VUB Bank ³³

Regulatory portfolio	EUR thousand	
	Collateral	Guarantees or credit derivatives
Exposures to or secured by governments and central banks	-	-
Exposures to or secured by local authorities	-	-
Exposures to or secured by not for profit and public sector organisations	39	8
Exposures to or secured by multilateral development banks	-	-
Exposures to or secured by international organisations	-	-
Exposures to or secured by supervised institutions	-	2,912
Exposures to or secured by corporates	11,343	45,038
Retail exposures	1,505	210
Exposures secured by real estate property	-	-
Past due exposures	-	4,768
High-risk exposures	-	-
Exposures in the form of guaranteed bank bonds (covered bonds)	-	-
Short-term exposures to corporates	-	-
Exposures to UCITS	-	-
Other exposures	-	-
Securitizations	-	-

³³ NBS decree 1/2007 §1, section 20f-g)

8. Counterparty risk

Counterparty risk is a specific type of credit risk and represents the risk of a counterparty in a transaction defaulting before the final settlement of the cash flows involved in the transaction.

Counterparty risk is calculated for the following categories of transactions:

- over-the-counter (OTC) financial and credit derivatives;
- Securities Financial Transactions -SFTs (e.g. repurchase agreements);
- transactions with medium to long-term settlement.

The framework provides for the uniform treatment of counterparty risk regardless of the portfolio in which the exposures have been classified (the banking and regulatory trading books are both subject to capital requirements for counterparty risk). For the purposes of reducing the amount of the exposures, recognition of various types of contractual netting arrangements (“Master netting agreements”) is permitted, subject to compliance with statutory requirements.

For regulatory reporting purposes the Group currently uses the “mark-to-market” approach for the calculation of the exposures subject to counterparty risk for OTC financial and credit derivatives, whereas for repurchase agreements it considers the guarantee in securities as financial collateral, directly reducing the value of the exposure (“comprehensive” method).

The counterparty risk that affects the types of transactions referred to above generates an exposure corresponding to their positive fair value plus the future credit exposure (add-ons, namely the percentage value applied to the notional amount of the derivative). These add-ons differ depending on the residual maturity of the transaction and the type of underlying risk (interest rate, equity, exchange, etc.).

Over the counter financial derivatives: positive fair value – counterparty risk as at 31 March 2010:

	IR derivatives gross amount	IR derivatives Fair value	Equity derivatives gross amount	Equity derivatives Fair value	FX derivatives gross amount	FX derivatives Fair value	Other derivatives gross amount	Other derivatives Fair value
A. Trading book for supervisory purposes	-	-	-	-	-	-	-	-
A1. Governments and central banks	-	-	-	-	-	-	-	-
A2. Other public entities	-	-	-	-	-	-	-	-
A3. Banks	708	23	6	1	150	2	-	-
A4. Financial institutions	107	3	-	-	-	1	-	-
A5. Insurance companies	-	-	-	-	-	-	-	-
A6. Non-financial companies	100	4	-	-	38	6	-	-
A7. Other counterparties	-	-	-	-	12	-	-	-
B. Banking book	-	-	-	-	-	-	-	-
B1. Governments and central banks	-	-	-	-	-	-	-	-
B2. Other public entities	-	-	-	-	-	-	-	-
B3. Banks	369	2	16	8	135	10	3	-
B4. Financial institutions	-	-	-	-	-	-	-	-
B5. Insurance companies	-	-	-	-	-	-	-	-
B6. Non-financial companies	-	-	-	-	-	-	-	-
B7. Other counterparties	-	-	-	-	-	-	-	-

9. Market risks: disclosures for banks using the internal models approach (IMA) for position risk and foreign exchange risk.³⁴

9.1 Qualitative disclosure

Value at Risk (VaR)

The analysis of market risk profiles relative to the trading book uses various quantitative indicators and VaR is the most important.

Value-at-Risk is a statistical measure of the worst-case (unexpected) loss over a given time horizon under normal market conditions at a given confidence level.

The Bank uses historical simulation method to estimate VaR. This method is robust, it precisely covers a wide range of products (linear and non-linear products), it uses full valuation and is easy to understand and interpret. This method is also used by Intesa Sanpaolo, Milan as a part of their internal model for measurement of capital adequacy requirement for market risk, which has been approved by National bank of Italy (Banco d'Italia). In VUB this method is being used regularly from May 1st, 2005 after it had been approved by ALCO committee on RM department proposal.

The Bank uses this Value at risk model as internal model for capital allocation for interest rate risk in trading book and foreign exchange risk in both trading and banking books, based on decision of NBS since January 2007.

VaR calculated for the last day is compared with average of VaR computed for last 60 working days multiplied with multiplication factor received from backtesting. Maximum of these values is multiplied by square root of 10 as time adjustment and taken as regulatory capital allocation requirement.

VaR value, backtesting results and capital allocation requirement is part of daily reporting.

Positions

In the model are included all positions which fulfil condition $\text{trade date} \leq \text{actual date} < \text{maturity date}$ and are not flagged as liquidated. These conditions include all exposure with unrealized part of cash flow.

Risk factors

FX rates and interest rates are used as risk factors for VaR computation. Interest rates of currencies different from EUR with maturity less than 1M are replaced with 1M rate to take into account "pull to maturity" effect. Interest rates of EUR currency are taken from the whole interest rate curve.

Methodology

The historical simulation is one of the standardized approaches to calculate Value at Risk. This method assumes the maximal future change of market parameters – risk factors over a specified time horizon can be predicted from a series of historical changes. Scenarios of historical changes of risk factors are used to calculate market value of current portfolio, using full valuation. That means that market value of all instruments is calculated exactly not approximated. By comparing the actual value of portfolio with the set of market values under each scenario a set of hypothetical returns is calculated. The set of returns is then sorted and a specified percentile is selected as an estimate of VaR.

Risk factor is an independent variable, which value can be observed on the market and affects market value of a financial instrument. Standard risk factors are interest rates (each node on the yield curve), foreign exchange rates, and volatilities.

Full valuation requires a complete set of market parameters. This means that all relevant risk factors have to be identified and incorporated into scenarios of historical data set. Scenario consists of changes of all risk factors between two observations.

Hypothetical market value for scenario k is obtained from applying changes of all risk factors from the scenario to the current level of market parameters and using these modified market parameters to calculate market value of financial instruments in portfolio.

³⁴ NBS decree 1/2007 §1, section 16)

In line with Intesa Sanpaolo methodology (using RiskWatch as the core system for historical simulation VaR computing) we calculate daily changes of market parameters as follows:

$$\Delta S_{i,k} = \frac{S_{i,k}}{S_{i,k+1}} \quad k = 1, \dots, N$$

and

$$S'_{i,k} = S_{i,0} * \Delta S_{i,k} \quad k = 1, \dots, N$$

where

$S_{i,k}$ – value of a risk factor i on observation day k ($k=1$ is a previous trading day)

$S_{i,0}$ – actual value of a risk factor i

$S'_{i,k}$ – simulated value of a risk factor i after application of scenario k to the actual value

$\Delta S_{i,k}$ – change of risk factor i between observation day k and $k+1$

N – number of scenarios in historical data set (VUB uses 250)

To obtain a simulated value of a risk factor i , its actual value $S_{i,0}$ is multiplied by a corresponding change $\Delta S_{i,k}$. This shift type is called as variable factor in RiskWatch system. Its advantage is that it can be used on risk factors which value change significantly over longer period of time without losing relevancy (i.e. EUR interest rates changed from levels around 5% p.a. to 2.5% p.a. Percentual change of 10% from 5% to 4.5% can be easily applied to market rates if even if the current value is 2.5%. But if we used absolute shifts, then the same shift of 0.5 percentage point may be not realistic if the rates were 2.5%). A disadvantage is that VaR may rise when actual values of risk factors rise. (Absolute difference between $S'_{i,k}$ and $S_{i,0}$ grows as $S_{i,0}$ rises.)

In the next step, the valuation engine - RiskWatch calculates market values of current position applying historical scenarios $S_{i,k}$. The output of the process is a set of N market values, which can be interpreted as the hypothetical market values of the current position in the case of repetition of the historical changes of scenario k . Hypothetical returns (returns R_k) are calculated as a difference between market value under scenario k and current market value.

It has been observed that volatility on financial market rises and decreases in clusters and that there are periods of high volatility and low volatility. Therefore the model should quickly react to the actual situation on the market and correctly assess the current state. This is achieved through assigning weights – probabilities to the individual returns. Every hypothetical return has a different level of probability. The generally accepted assumption is that the probability of a scenario decreases as its time of observation is receding from the actual date. It means that probability of recurrence of the scenario $k=1$ is higher than probability of recurrence of the scenario $k=250$. The weights applied to the hypothetical returns are calculated as follows:

$$W_k = \frac{\lambda^{(k-1)} * (\lambda - 1)}{\lambda^N - 1} \quad k = 1, \dots, N$$

where

$\lambda = 0.992$ (decay factor).

k – scenario number (previous trading day = 1)

It means that scenario from the last day has highest weight (0.00924), scenario of previous day has weight 0.00924 multiplied by decay factor 0.992 (i.e. 0.00917), scenario of previous day has weight 0.00917 multiplied by decay factor (i.e. 0.00909), etc., scenario with date 250 working days before actual date has lowest weight (0.00125).

The final step is to calculate the left tail (the potential loss) at the given confidence level over the weighted distribution of hypothetical returns.

The implementation of the historical simulation approach consists of four phases:

- Identification of risk factors
- Generation of historical scenarios
- Performing the simulation (Full valuation)
- Estimation of Value at Risk

Market value as an intermediate base for calculation of VaR or other risk figures of all instruments is calculated independently by RiskWatch, using Net Present Value - all future cash flows are discounted to actual date using appropriate yield curve and are converted to EUR with appropriate FX rate (see chapter Market Data) or other instrument specific methods (i.e. for options). Methods and models used in RiskWatch are described in RiskWatch financial models documentation.

Process of calculation

For the historical simulation RM uses a time series of 250 historical scenarios. The holding period is one day and confidence level is set at 99% (left tail).

The historical time-series of prices are collected by Risk management department of Intesa Sanpaolo, Milan with cooperation of RM department of VUB. The data together with historical scenarios and actual positions are transferred to RiskWatch system in VUB where the valuation engine - RiskWatch computes hypothetical returns applying historical scenarios and selects the required percentile (99% - left tail).

Requirements

- The sufficient length of time series of market variables (at least 250 daily values).
- Full valuation engine.

Global VaR computation

VaR is computed by RiskWatch system for FX portfolio and IR portfolio separately. Computation of Value-at-Risk for all risk factors and all portfolios (Global VaR) is then done in MS Access application. It uses reports from RiskWatch as inputs. These reports include historical scenarios with weights and profits/losses. For each of these scenarios with same date, it is possible to sum profit/loss of FX portfolio and IR portfolio to gain profit/loss of whole portfolio. These sums together with weight are new global historical scenarios. Global historical scenarios are sorted in ascending way by returns and scenario with cumulated probability exceeding 1% is chosen as VaR scenario. (The same process as described above.)

Chosen scenario is used as Global VaR for whole portfolio and all risk factors.

Short description of steps:

1. to sum up PL for FX consolidated portfolio with PL for IR trading portfolio
2. to assign weights to each PL
3. to sort by size of PL
4. to select PL which is first over 99%

Advantages

This section describes advantages of the chosen method for VaR calculation against the parametric and Monte Carlo method.

- The assumption of normal distribution of market variables and determination of correlations between risk factors are not required.
- The method is applicable also for portfolios with a large number of assets and allows nonlinearities of positions to be precisely measured.
- The method deals directly with the choice of horizon for measuring VaR. Returns are simply measured over intervals that correspond to the length of the horizon. (In our case the horizon is set as O/N.)
- Historical simulation method does not rely on specific assumptions about valuation model or underlying stochastic structure of the market.
- The used method is in line with Intesa Sanpaolo methodology and their approved internal model for measuring market risk.
- Easy for interpretation.
- The method is robust and intuitive and the most widely used method to compute VaR.
- Computational requirements are lower than in Monte Carlo method.

Disadvantages

This section describes disadvantages of the chosen method for calculation of VaR against the parametric and Monte Carlo method. At the same time it lists possible situations when the model may not work effectively.

- The sufficient quality and quantity of historical data is required.
- The efficient full valuation engine is necessary.

- The method does not recognize risk, which arises from situations that are not directly described by any of the used scenarios.
- The speed of computation is slower than in the case of delta (parametric) VaR. The on-line calculation is not available.
- The source of positions is crucial for the calculation engine in the case of VUB bank. The process is sensitive for the collapse of the uploading process (the responsibility is divided between Market Risk Department of VUB bank and Risk Management Department of Intesa Sanpaolo).

Back test

Risk measurement is based on several presumptions and specified model. These presumptions and model must be steadily compared to reality in order to assure quality of risk figures. Verification of model by comparing its predictions to observed data is called backtesting.

In the case of backtesting of Value at Risk model, the figure calculated, as the worst loss over a specified time horizon at given confidence level of a portfolio is later compared with actual profit or loss (P/L) of this portfolio realized over the same period of time.

Stress testing

The legal framework to implement the stress testing is included in Decree of the National Bank of Slovakia of January 16, 2004 on adequacy of banks' own funds of financing.

NBS requires that the bank should implement a complex program of stress testing that includes stress scenarios and qualitative and quantitative tests. **Quantitative** stress tests identify possible impacts on the bank caused by movements of real prices, interest rates, volatility, correlation, and other market factors. **Qualitative** tests verify adequacy of bank's own funds for the protection against possible losses and identify possibilities to reduce risks.

Object of Stress testing

The capability to predict the financial instability is one of the most important features to keep the revenue at the desiderative level. The better understanding of the vulnerabilities in financial systems and measures could help prevent the financial crises. One of the key techniques for quantifying financial sector vulnerabilities is stress testing.

The main goal of stress testing is to caution the institution for unexpected losses that could be made by an exceptional but plausible development of market factors. To set the boundary between the realistic development with the low probability and unrealistic scenario is the object of many studies.

The impact of the financial crisis is not limited only for the profitability of trading portfolios. The financial instability affects a range of financial soundness indicators of the financial institution.

Financial Soundness Indicators (FSIs)

Capital Adequacy
Capital Adequacy for market risks
Regulatory capital to risk-weighted assets
Sensitivity to market risk
Duration of assets
Duration of liabilities
Net open position in foreign exchange to capital
Earnings and profitability
Return on assets
Return on equity
Interest margin to gross income
Non-interest expenses to gross income
Asset quality
Large exposures to capital

Source: IMF (2003)

Stress test shocks and models are based on judgments and assumptions, so the stress test output is not comparable to FSIs measuring actual condition in a financial system. Stress testing and FSIs provide complementary approaches to analyzing similar risks. The complementarity between stress testing and FSIs is probably of greatest relevance in the area of exposure to market risk. The more advanced state of market risk stress testing makes it feasible to use

the measure of loss from these stress tests as a soundness indicator along with market risk FSIs. This is a more likely to be the case in more sophisticated systems where banks conduct frequent market risk stress tests as an integral part of risk management. The result of these stress tests could be presented in a form comparable to the relevant market risk FSI (e.g. as a measure of loss relative to capital for a shock of a given size).

Stress tests and Value at Risk methods

All Value at Risk methods are based on the assessment of the losses from the historical volatilities and correlations or over historical scenarios of prices. The assessment is made over the predefined level of probability (confidence level). VaR methods do not cover fat tails and movements that happened in the past and are not included in the set of data. On the other hand, the future is inimitable and may not be mirrored in the past.

Stress scenarios

Market Risk Department in cooperation with Corporate Strategy and Economic Research Department prepares a set of stress scenarios – scenarios, which imitate state of market factors during a financial crisis and reevaluates the actual positions with these scenarios. The change of market value between actual situation and the scenario is considered a stress value.

These stress values are then both directly and compared to FSIs reported to management in Daily report and to ALCO in a Monthly Risk report.

The set of scenarios is dynamic and reflects the current development of prices (Interest Rates, Foreign Exchange Rates and Implied Volatilities) and current position.

10. Operational risk³⁵

10.1 Qualitative disclosure

Operational risk is defined as the risk of suffering losses due to inadequacy or failures of processes, human resources and internal systems, or as a result of external events. Operational risks include legal risk, that is, the risk of losses deriving from breach of laws or regulations, contractual or out-of-contract responsibilities or other disputes; strategic and reputation risks are not included.

The Group has a centralized function within the Risk Management Division for the management of the Group's operational risks. This function is responsible for the definition, implementation, and monitoring of the methodological and organizational framework, as well as for the measurement of the risk profile, the verification of mitigation effectiveness and reporting the Top Management, as per standards and principles defined by Intesa Sanpaolo Head Office.

In compliance with current requirements, the Group's organizational units have been involved into the process and each of them was assigned the responsibility for the identification, assessment, management and mitigation of its operational risks; specific officers and departments have been identified within these organizational units to be responsible for Operational Risk Management.

Methods for calculating Operational Risk

As at 31 December 2007 the Group adopted the Traditional Standardized Approach - TSA. Later, in February 2010, VUB Bank has adopted Advanced Measurement Approach, for Operational Risk management and measurement.

For the use of the Advanced Measurement Approach and Standardized approach, and in addition to the corporate governance mechanisms required by the Supervisory regulations, the Bank has set up an effective system for the management of operational risk certified by the process of annual self-assessment carried out by the Group Companies that fall within the scope of the AMA and TSA. This self-assessment is verified by the Internal Audit and Control department and submitted to the corporate bodies for the annual certification of compliance with the requirements established by the regulation.

Under the AMA approach, the capital requirement is calculated by internal model, which combines all elements stipulated in Supervisory regulation, allowing to measure the exposure in a more risk sensitive way. Under the Standardized approach, the capital requirement is calculated by multiplying gross income by separate regulatory percentages for each of the business lines into which the Banks' activities are divided. Monitoring of operational risks is performed by an integrated reporting system, which provides management with the information necessary for the management and/or mitigation of the operational risk.

The internal AMA model, used for operational purposes and for the ICAAP process, has the following summary features.

Intesa Sanpaolo Group's internal AMA model is designed to combine all the main quantitative (internal and external historical incurred loss data) and qualitative information sources (scenario analysis and operating valuation context).

The quantitative component is based on the assessment of historical data on internal events (recorded by organizational units, verified by the central function and managed by a dedicated IT system) and external events (including participation in consortium initiatives such as "Database Italiano Perdite Operative" – Italian Operating Loss Database – managed by the Italian Banking Association and Operational Riskdata eXchange Association) applying actuarial techniques that entail the separate study of event frequency and impact and the subsequent formation, through Montecarlo simulations, of the annual loss distribution curve and consequently of risk measures.

The qualitative component (scenario analyses) focuses on the forward-looking assessment of the risk exposure of each unit and is based on the structured, organized collection of subjective estimates expressed directly by Management (subsidiary companies, Parent Company's business areas, Corporate Centre) with the objective of assessing the potential economic impact of particularly serious operational events; such assessments, processed with statistical-actuarial techniques, calculate an unexpected loss estimate which is subsequently integrated in the measurement obtained by the analysis of historical loss data.

Capital-at-Risk is therefore identified as the minimum amount at Group level, net of insurance, cover, required to bear the maximum potential loss (worst loss); Capital-at-Risk is estimated using a Loss Distribution Approach model (actuarial statistical model to calculate the Value-at-Risk of operational losses), applied on quantitative and qualitative data assuming a one-year estimation period, with a level of confidence level of 99.9%; the methodology also applies a corrective factor, which derives from the qualitative analyses of the risk of the evaluation of the business

³⁵ NBS decree 1/2007 §1, section 17)

environment and internal control factors, to take account of the effectiveness of internal controls in the various organizational units.

The VÚB Group utilizes a traditional operational risk transfer policy (insurance) with the objective of mitigating the impact of any unexpected losses.

Compliance with Group standards is supported by a programme of periodic reviews undertaken by Internal Audit. The results of Internal Audit reviews are discussed with the management of the business unit to which they relate, with summaries submitted to the Audit Committee and senior management of the Group.

11. Equity exposures: disclosures for banking book positions³⁶

11.1 Qualitative disclosure

Equity exposures included in the banking book: differentiation between exposures according to the objectives pursued

The investments in equities present in the Group have a variety of functions:

- strategic - companies subject to significant influence and joint ventures with industry partners;
- institutional - investments in associates, consortium companies, and local institutions;

Recognition and valuation of the equity instruments included in the banking book

The equity exposures included in the banking book are classified under the balance sheet items Subsidiaries, associates and jointly controlled entities and Available-for-sale financial assets. Subsidiaries are included only for the purpose of separate financial statements of VUB bank.

Subsidiaries, associates and jointly controlled entities – accounting policies for separate financial statements

For the purposes of separate financial statements of VUB bank, subsidiaries, associates and jointly controlled entities are recorded at cost less impairment losses. The impairment loss is measured as the difference between the carrying amount of the shares and the present value of estimated future cash flows discounted at the current market rate of return for a similar financial asset.

Associates and jointly controlled entities – accounting policies for consolidated financial statements

Associates are entities, in which the Group has significant influence, but not control, over the financial and operating policies. The financial statements include the Group's share of the total recognized gains and losses of associates on an equity accounted basis, from the date that significant influence commences until the date that significant influence ceases.

Jointly controlled entities are entities over whose activities the Group has joint control, established by contractual agreement. The financial statements include the Group's share of the total recognized gains and losses of jointly controlled entities on an equity accounted basis, from the date that joint control commences until the date that joint control ceases.

Impairment tests of investments

At each balance sheet date the equity investments in associates or companies subject to joint control are subjected to an impairment test to assess whether there is objective evidence to consider that the carrying value of such assets is not fully recoverable. The detection of any impairment involves the verification of the presence of impairment indicators and the determination of any write-down. The presence of specific impairment indicators results in the recognition of a write-down to the extent that the recoverable amount is lower than the recognition value. The recoverable amount consists of the higher of the fair value less costs to sell and the value in use. Value in use is the present value of expected future cash flows from the asset undergoing the impairment process; it reflects estimated expected future cash flows from the asset, the estimate of possible changes in the amount and/or timing of cash flows, time value of money, the price able to repay the risk of the asset and other factors such as for example the illiquidity of the asset, which may affect the appreciation by market participants of expected future cash flows from the asset. Value in use is determined by discounting future cash flows.

Financial assets available for sale – accounting policies

Available-for-sale securities are those financial assets that are not classified as held for trading or held-to-maturity. Subsequent to their initial recognition, these assets are accounted for and re-measured at fair value.

The fair value of available-for-sale securities, for which an active market exists, and a market value can be estimated reliably, is measured at quoted market prices. In circumstances where the quoted market prices are not readily available, the fair value is estimated using the present value of future cash flows.

Equity investments are held at cost less impairment as their fair value cannot be reliably measured. For available-for-sale equity investments, the Bank assesses at each end of reporting period whether there is objective evidence that an investment or a group of investments is impaired.

In the case of debt instruments classified as available-for-sale, impairment is assessed based on the same criteria as financial assets carried at amortized cost. If, in a subsequent year, the fair value of a debt instrument increases and the increase can be objectively related to an event occurring after the impairment loss was recognized in the statement of comprehensive income, the impairment loss is reversed through the statement of comprehensive income.

³⁶ NBS decree 1/2007 §1, section 18)

In the case of equity investments classified as available-for-sale, objective evidence would include a significant or prolonged decline in the fair value of the investment below its cost. Where there is evidence of impairment, the cumulative loss – measured as the difference between the acquisition cost and the current fair value, less any impairment loss on that investment previously recognized in profit or loss – is removed from equity and recognized in profit or loss. Impairment losses on equity investments are not reversed through profit or loss; increases in their fair value after impairment are recognized directly in equity.

Unrealized gains and losses arising from changes in the fair value of available-for-sale securities are recognized on a daily basis in the 'Revaluation reserve' in equity.

Interest earned whilst holding available-for-sale securities is accrued on a daily basis and reported in the statement of comprehensive income in 'Interest and similar income'.

11.2 Quantitative disclosure

Banking book: on balance sheet equity exposures

	Share %	Reason for holding	Evaluation Method	Book value (EUR thousand)	Sale proceeds/ Listed	Own funds	Unrealized profit/ losses
Subsidiaries							
Consumer Finance							
Holding, a.s.	100	strategic	cost	53,114	no	n/a	basic -
VÚB Leasing, a.s.	100	strategic	cost	36,641	no	n/a	basic -
VÚB Asset Management, správ. spol. a.s.	100	strategic	cost	2,821	no	n/a	basic -
VÚB Factoring, a.s.	100	strategic	cost	6,325	no	n/a	basic -
VÚB Leasingová, a.s., in liquidation	100	strategic	cost	324	no	n/a	basic -
Recovery, a.s.	100	strategic	cost	469	no	n/a	basic -
Associated companies							
Slovak Banking Credit Bureau, s.r.o.	33.3	institutional	equity	3	no	n/a	basic -
Jointly controlled entities							
VÚB Generali DSS, a.s.	50	strategic	equity	15,562	no	n/a	basic -
Other in AFS portfolio							
RVS Studene (BZCS), a.s.	8.38	institutional	cost	574	no	n/a	basic -
S.W.I.F.T.	0.02	institutional	cost	56	no	n/a	basic -

Table incorporates also subsidiaries that are included at cost in the separate financial statements of VUB

12. Interest rate risk on positions in the banking book³⁷

12.1 Qualitative disclosure

Interest rate risk

The main risk to which non-trading portfolios are exposed is the risk of loss from fluctuations in the future cash flows or fair values of financial instruments because of a change in market interest rates. Interest rate risk is managed principally through monitoring interest rate gaps. Financial instruments are mapped to re-pricing gaps either by their maturity, i.e. fixed rate instruments, or by next re-price date, i.e. floating rate instruments. The assets and liabilities that do not have contractual maturity date or are not interest bearing are mapped according to internal model based on behavioural assumptions.

The Risk Management division is responsible for monitoring these gaps at least on a monthly basis.

The management of interest rate risk is measured by shift sensitivity analysis which is defined as a parallel and uniform shift of + 1 basic points of the rate curve and + 200 basic points of the rate curve. These standard scenarios are applied on monthly basis.

The sensitivity of the interest margin is also measured on the basis of a parallel and instantaneous shock in the interest rate curve of ± 100 basis points, over a period of 12 months. It should be noted that this measure highlights the effect of variations in market interest rates on the portfolio being measured, and excludes assumptions on future changes in the mix of assets and liabilities and, therefore, it cannot be considered as a predictor of the future levels of the interest margin.

VaR methodology is applied to calculate the allocation of economic capital for interest rate risk in banking book. All calculations are performed on both individual VUB basis and individual for each VUB subsidiary.

Overall banking book interest rate risk positions are managed by Asset and Liability Management, which uses different balance and off balance sheet instruments to manage the overall positions arising from the Bank's banking book activities.

The interest rate risk comprises of the risk that the value of a financial instrument will fluctuate due to changes in market interest rates and the risk that the maturities of interest bearing assets differ from the maturities of the interest bearing liabilities used to fund those assets. The length of time for which the rate of interest is fixed on a financial instrument therefore indicates the extent to which it is exposed to the interest rate risk.

Models applied for calculation of interest rate gap

Each financial and non financial instrument is mapped to the gap based on contractual or behavioural re-pricing day.

Contractual

This category includes instruments, where the Group knows exactly when the maturity or next re-pricing takes place. This treatment is applied mainly to: securities bought and issued loans and term deposits.

Behavioural

These are items for which it is not exactly known when the maturity or next re-pricing will take place (e.g. current accounts). In this case, it is necessary to make certain assumptions to reflect the real behaviour of these items. The assumptions are based on deep analysis of the Group historical data and statistical models. The group also includes items such as fixed assets, equity, provisions, etc., which have an indefinite maturity and have to be modelled as well.

Based on methods and historical data a core portion of cash is calculated and this portion is amortized on a linear basis over 10 years, the remaining amount is classified as an overnight item. For current accounts the non-sensitive core portion of some clients' categories is calculated and is mapped to the IR gap as a linearly amortized item over 10 years. The remaining amount is classified in the overnight segment. Fixed assets like tangible and intangible assets and fixed liabilities like equity are amortized over 10 years.

³⁷ NBS decree 1/2007 §1, section 19)

12.2 Quantitative disclosure

Interest rate risk

Interest margin sensitivity in 1 year horizon – in the event of a 100 basis points rise in interest rates – reached € 860 thousand at the end March 2010, compared to €-282 thousand at the end of 2009.

In 2010, interest rate risk generated by the Group banking book, measured through shift sensitivity analysis to 1 bp, registered € -13 thousand at the end of March 2010 compared to the € 28 thousand at the end of 2009.

	EUR thousand	
	Mar 2010	Dec 2009
SKK	-	-
EUR	(14)	21
CZK	-	7
USD	1	-
Other	-	-
Total	<u>(13)</u>	<u>28</u>

13. Declaration of the Manager responsible for preparing the Company's financial reports

The Manager responsible for preparing the Company's financial reports, Domenico Cristarella, declares, pursuant to par. 2 of art. 154-bis of the Consolidated Law on Finance 58/98, that the accounting information contained in this document corresponds to the corporate records, books and accounts.

29 April 2010



Domenico Cristarella
Manager responsible for preparing the
Company's financial reports